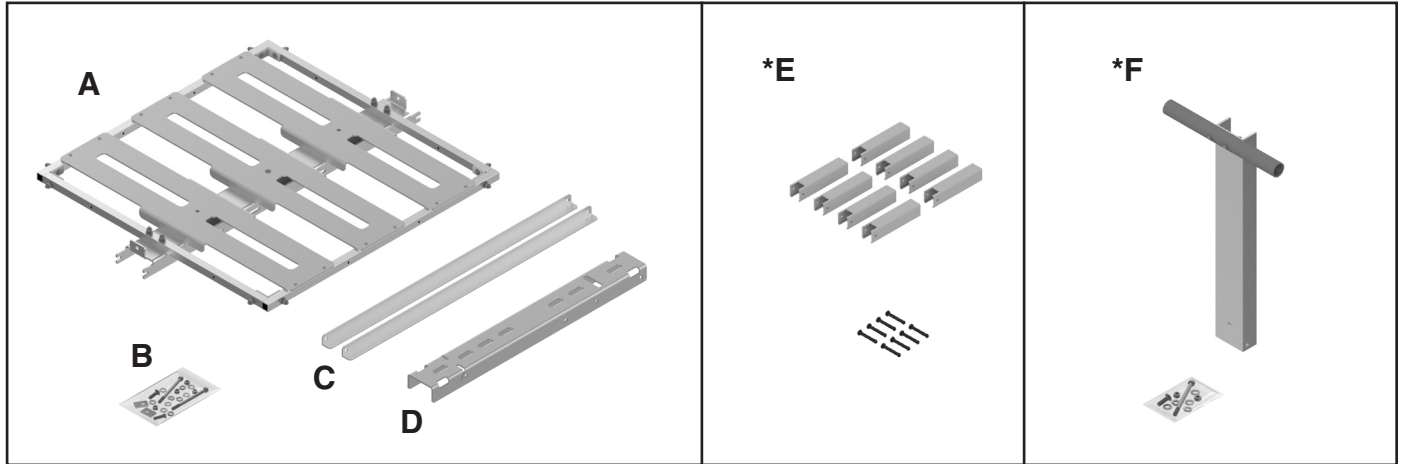




# RAPTOR PROTECTOR™ Platform for Side-of-Pole Mount Applications

Be sure to read and completely understand this procedure before applying product. Be sure to select the proper PREFORMED™ product before installation.



## NOMENCLATURE

- A. Platform (1)
- B. Hardware Bag (1)
  - 3/8"-16 x 1-1/4" Carriage Bolt (2)
  - Carriage Bolt Lock Plate (2)
  - 3/8"-16 x 5" Hex Head Bolt (2)
  - 3/8"-16 Hex Nut (4)
  - 3/8" Spring Lock Washer (4)
  - 3/8" Flat Washer (6)
- C. Strut (2)
- D. Pole Channel (1)

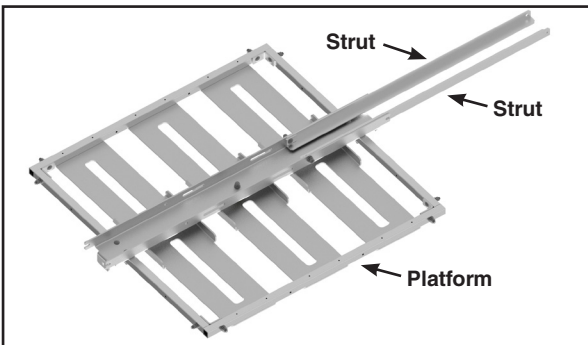
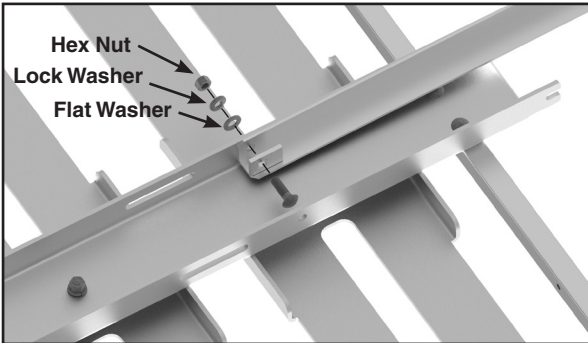
## \*Optional Items:

- E. Nest Retention Post Kit (1)
  - Nest Retention Post (8)
  - Nylon Lock Pin (8)
- F. Perch Kit (1)
  - Perch (1)
  - Hardware Bag (1)
    - 3/8"-16 x 1-1/4" Carriage Bolt (1)
    - 3/8"-16 x 5" Hex Head Bolt (1)
    - 3/8"-16 Hex Nut (2)
    - 3/8" Spring Lock Washer (2)
    - 3/8" Flat Washer (3)

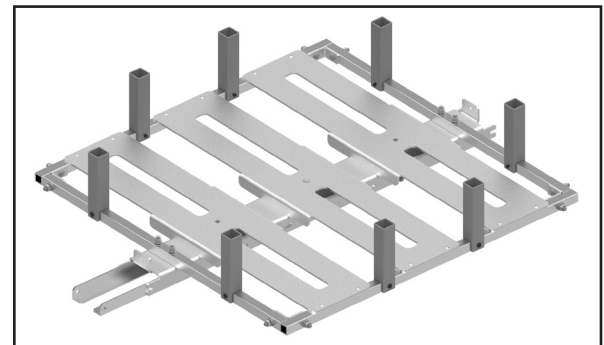
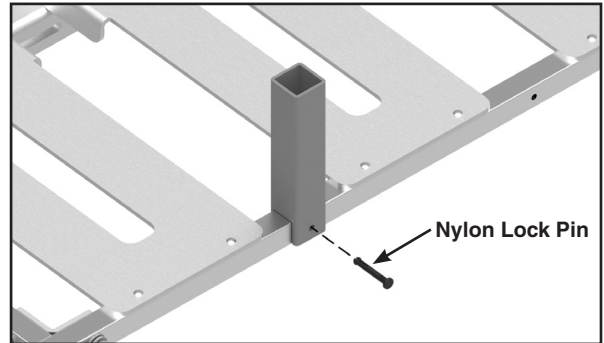
For proper installation of the RAPTOR PROTECTOR™ Platform, it is recommended that the platform be **grounded** per company standards and practices.

RAPTOR PROTECTOR Platform Kits for Side Mounting Applications	
PLP Catalog Number	Description
RPP33-S	RAPTOR PROTECTOR Platform Side of Pole Mount
RPP33-SNRP	RAPTOR PROTECTOR Platform Side of Pole Mount with Nest Retention Post Kit
RPP33-SNRP24	RAPTOR PROTECTOR Platform Side of Pole Mount with Nest Retention Post Kit and Perch Kit

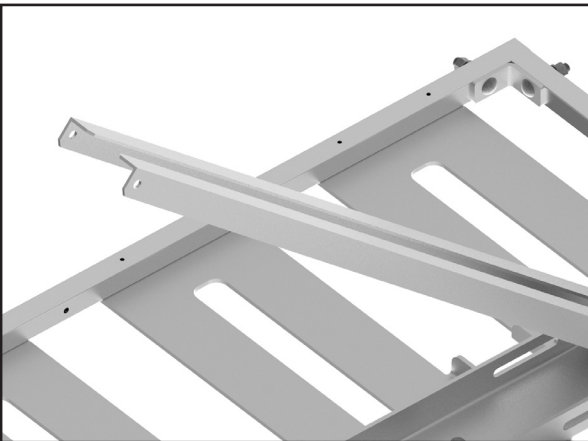
**Step #1** Attach each strut to the platform using a carriage bolt, carriage bolt lock plate, flat washer, lock washer and hex nut. Do not fully secure the struts to the platform so that the struts are allowed to rotate.



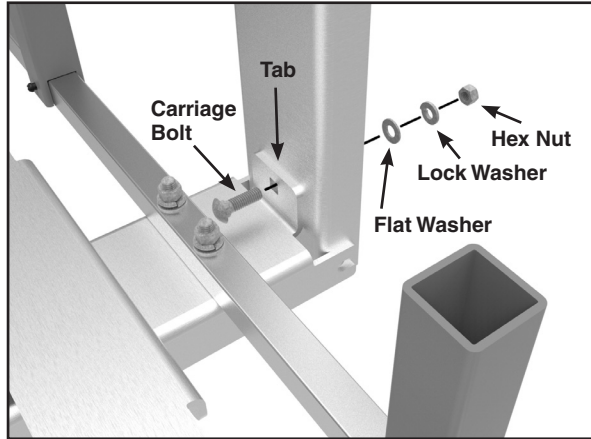
**Step #3 (OPTIONAL STEP)** If using the optional nest retention posts, attach each nest retention post to the platform frame using a nylon lock pin. Push the pin all the way through the pre-drilled hole from the outside of the frame toward the inside.



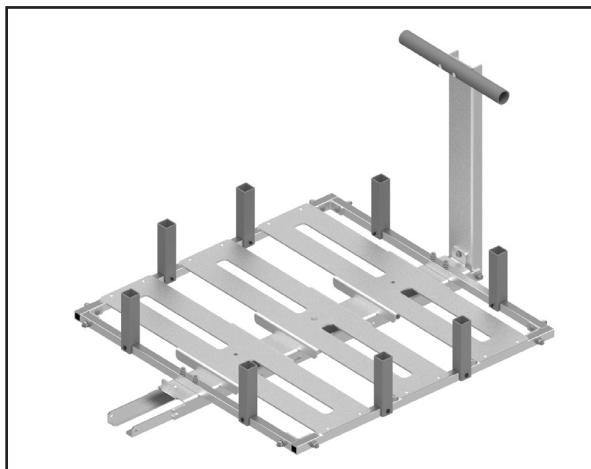
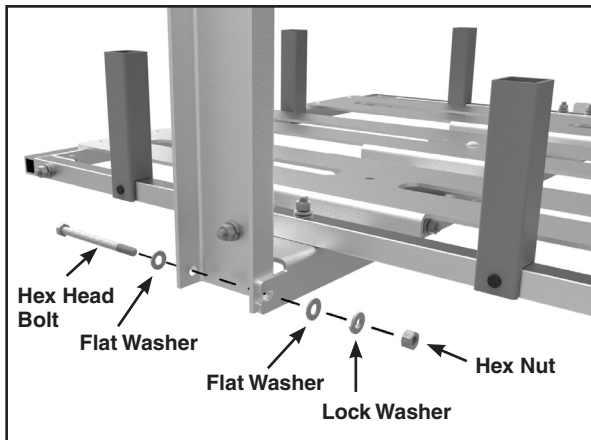
**Step #2** Ensure that the struts are oriented as shown below.



**Step #4 (OPTIONAL STEP)** If using the optional perch, attach the perch to the tab of the main support bar of the platform that will be facing opposite of the pole. Secure the perch to the tab with a carriage bolt, flat washer, lock washer, and hex nut as shown below.

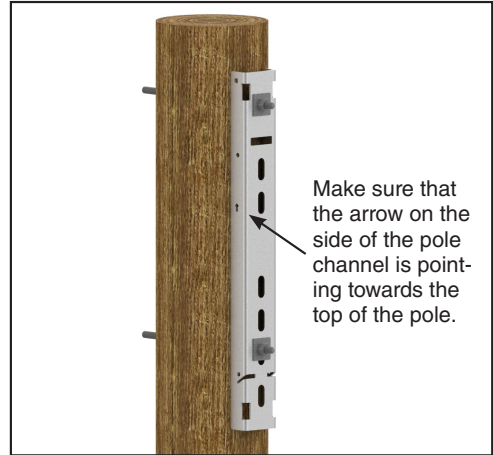


Secure the perch to the main support bar of the platform with a hex head bolt, lock washer, (2) flat washers, and a hex nut as shown below.

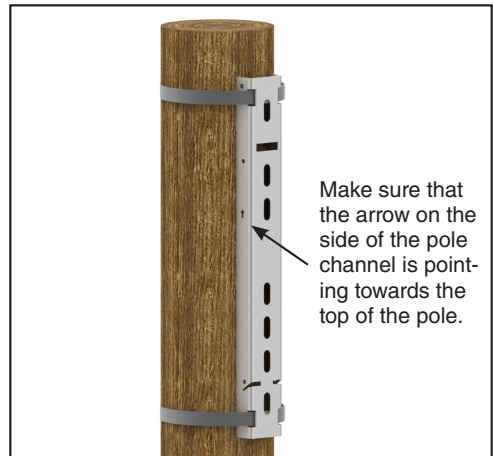


**Step #5** Mount the pole channel using stainless steel straps or 5/8" through bolts and flat or square washers, (Not supplied).

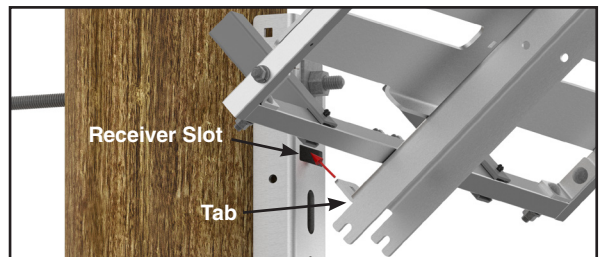
**Pole Channel Mounted to Pole with Through Bolts**



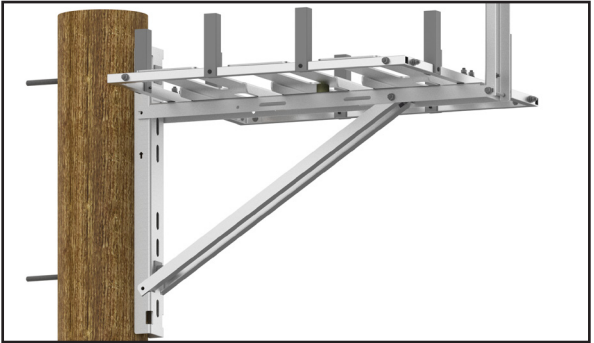
**Pole Channel Mounted to Pole with Banding**



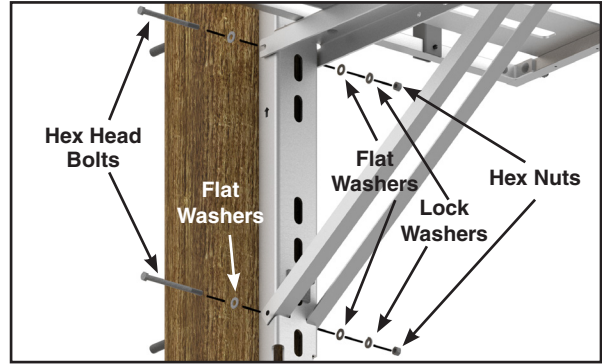
**Step #6** Tilt up the platform, then insert the tab of the main support bar of the platform into the receiver slot on the pole channel.



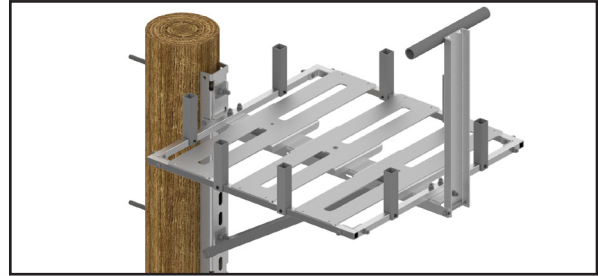
**Step #7** Slide the ends of the struts into the slots on the pole channel as shown below.



**Step #8** Secure the platform to the pole channel using (2) hex head bolts, (4) flat washers, (2) lock washers and (2) hex nuts. Fully secure the struts to the platform at this point.



**Step #9** Completed installation of the RAPTOR PROTECTOR™ Nesting Platform shown below.



## SAFETY CONSIDERATIONS

This application procedure is not intended to supersede any company construction or safety standards. This procedure is offered only to illustrate safe application for the individual. **FAILURE TO FOLLOW THESE PROCEDURES MAY RESULT IN PERSONAL INJURY OR DEATH.**

This product may be removed and reinstalled during the initial installation if it is in good condition. After extended service life, it is recommended the product not be reused once removed from service.

**Do not modify this product under any circumstances. This product must only be used as intended and as set forth in this application procedure. Failure to follow these guidelines may result in harm and/or damage, and will preclude PLP's liability thereof.**

This product is intended for use by trained technicians only. **This product should not be used by anyone who is not familiar with, and not trained to use it.**

When working in the area of energized lines, extra care should be taken to prevent accidental electrical contact.

For proper performance and personal safety, be sure to select the proper size PREFORMED™ product before application.

PREFORMED products are precision devices. To insure proper performance, they should be stored in cartons under cover and handled carefully.



# PREFORMED LINE PRODUCTS

P.O. Box 91129, Cleveland, Ohio 44101 • 440.461.5200 • www.prefomed.com • e-mail: inquiries@prefomed.com

SP3418-2