

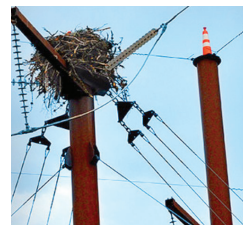
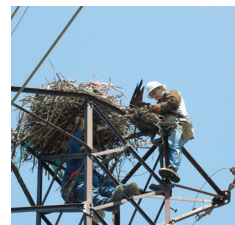


**PREFORMED** LINE PRODUCTS  
The connection you can count on.

# RAPTOR PROTECTOR™ Platform



-  COMMUNICATIONS
-  ENERGY
-  SPECIAL INDUSTRIES
-  SOLAR



## PLP Distribution Products

# RAPTOR PROTECTOR™ Platform

### Description

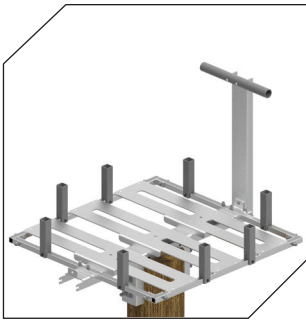
The PLP RAPTOR PROTECTOR Platform is a maintenance free, lightweight aluminum alternative to wood construction. The aluminum platform is a unitized solution that can be easily moved in the event the nest is abandoned. It is ideal for quickly and easily relocating avian nests from utility structures. This allows utility work to continue, helping to reduce/eliminate outages, and safeguard avian life. The RAPTOR PROTECTOR Platform is available with nest retention posts and/or a perch.

### Features

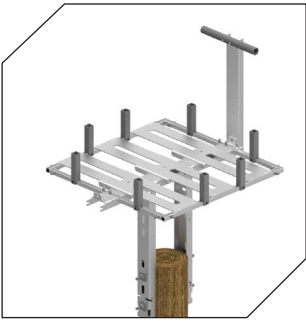
- Lightweight
- Easily installed
- No maintenance
- Installs on wood, steel or composite poles quickly

### Material

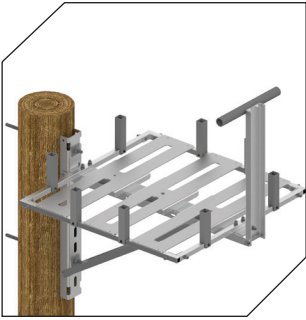
- Manufactured of lightweight aluminum
- Galvanized hardware



Top of Pole Mount\*  
RPP33-TNRP24



Extended Top of Pole Mount\*  
RPP33-ETNRP24



Side of Pole Mount\*  
RPP33-STNRP24

\*Shown with optional Nest Retention Posts and 24" Perch



World Headquarters  
660 Beta Drive  
Cleveland, Ohio 44143

Mailing Address:  
P.O. Box 91129  
Cleveland, Ohio 44101

Telephone: 440.461.5200  
Fax: 440.442.8816  
Web Site: [www.preformed.com](http://www.preformed.com)  
E-mail: [inquiries@preformed.com](mailto:inquiries@preformed.com)

© 2017 Preformed Line Products  
Printed in U.S.A.  
EN-SS-1179  
06.17JH



### RAPTOR PROTECTOR Platform

Catalog Number	Size	Description
RPP33-T	3' x 3'	RAPTOR PROTECTOR Platform Top of Pole Mount
RPP33-ET		RAPTOR PROTECTOR Platform Extended Top of Pole Mount
RPP33-S		RAPTOR PROTECTOR Platform Side of Pole Mount

### Accessories\*

NRP	Nest Retention Posts (8)
24	24" Perch

\* To add accessories: add suffix to the base catalog number, Example: RPP33-TNRP24.