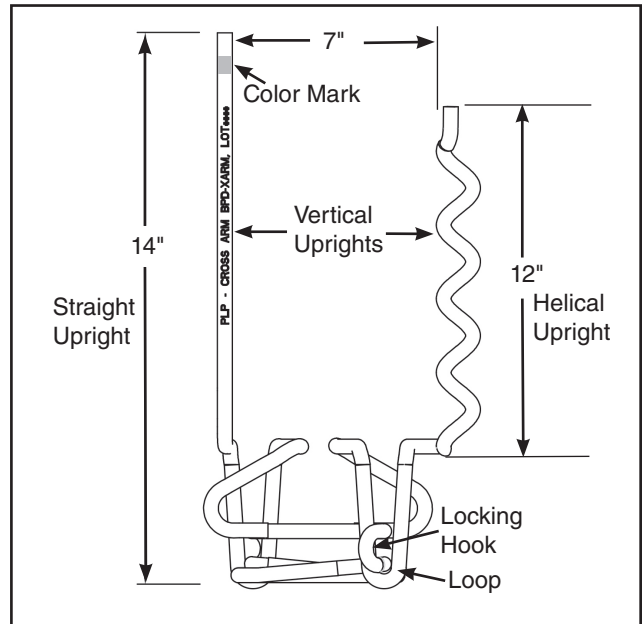
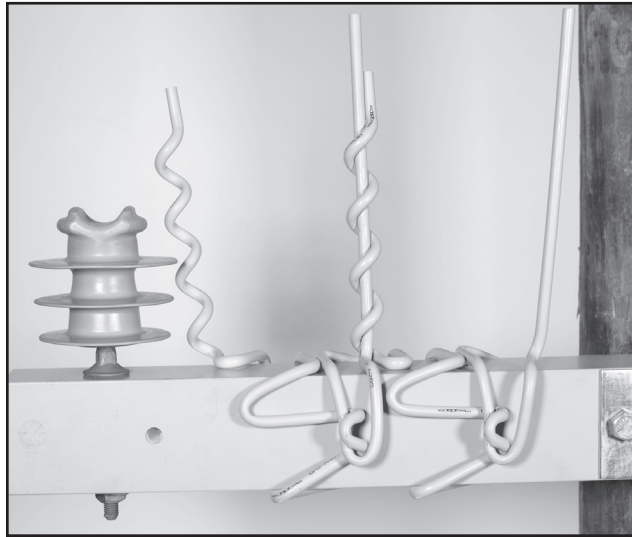




BIRD PERCH DETERRENT™ for Distribution Crossarms

Be sure to read and completely understand this procedure before applying product.
Be sure to select the proper size PREFORMED™ product before application.

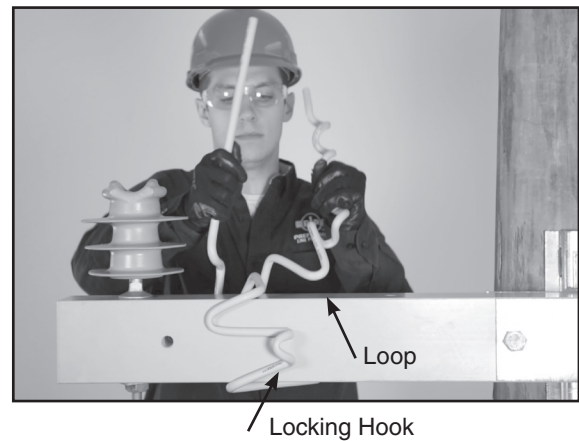


The Hook/Loop feature is located on the front and back of the BPD Crossarm.

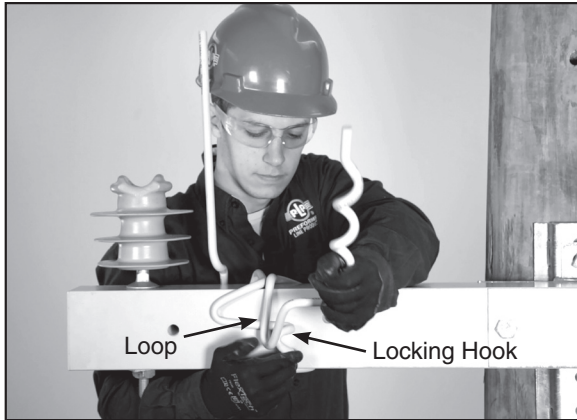
Step #1 Spread the vertical uprights of the BIRD PERCH DETERRENT to position them around the crossarm.



Step #2 Keeping the uprights of the BIRD PERCH DETERRENT apart, position them so that the hooks are over the top of the crossarm.



Step #3 Lock the loop of the upright of the BIRD PERCH DETERRENT™ into the Locking Hook on the side of the crossarm.



Step #6 Lock in the second deterrent using the same procedures as shown in Steps 3 and 4. Make sure it is close enough to the first BPD crossarm to lock them together.



Step #4 Lock the other loop of the 2nd upright of the BIRD PERCH DETERRENT into the Locking Hook on the other side of the crossarm. Once both sides are locked, the unit will not slide on the crossarm. Ensure proper location prior to locking into place.



Step #7 Wrap the helical upright of the second deterrent around the straight upright of the first deterrent. Ensure that the bottom helical wrap is installed as shown below.



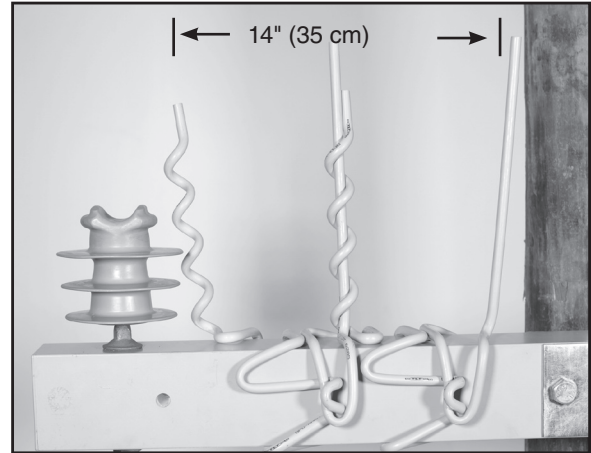
Step #5 Repeat Steps 1 - 4 to install the second deterrent. Make sure that the middle uprights are close enough to complete the application in Steps 7 and 8. Also note that the helical upright must be next to a straight upright to lock them together.



Step #8 Wrap the helical upright all the way to the top until it snaps in position.



Step #9 Repeat the above steps until the desired coverage is achieved. Two BIRD PERCH DETERRENTS cover approximately 14" (35 cm) and are approximately 14" (35 cm) high.



SAFETY CONSIDERATIONS

This application procedure is not intended to supersede any company construction or safety standards. This procedure is offered only to illustrate safe application for the individual.
FAILURE TO FOLLOW THESE PROCEDURES MAY RESULT IN PERSONAL INJURY OR DEATH.

This product may be removed and reinstalled during the initial installation if it is in good condition. After extended service life, it is recommended the product not be reused once removed from service.

Do not modify this product under any circumstances.

This product is intended for use by trained technicians only. **This product should not be used by anyone who is not familiar with, and not trained to use it.**

When working in the area of energized lines, extra care should be taken to prevent accidental electrical contact. Be sure to wear proper safety equipment per your company protocol.

For proper performance and personal safety, be sure to select the proper size PREFORMED™ product before application.

PREFORMED products are precision devices. To ensure proper performance, they should be stored in cartons under cover and handled carefully.



PREFORMED LINE PRODUCTS

P.O. Box 91129, Cleveland, Ohio 44101 • 440.461.5200 • preformed.com • email: inquiries@preformed.com

SP3189-1