



**PREFORMED** LINE PRODUCTS  
The connection you can count on.

# INSULIGN<sup>®</sup> Guy Strain Insulators Fiberglass



COMMUNICATIONS



ENERGY



SPECIAL INDUSTRIES



SOLAR



**INSULIGN<sup>®</sup>**



PLP® Distribution Products

# INSULIGN® Guy Strain Insulators – Fiberglass

**Rated Strength: (16,000 lbs and 21,000 lbs)**

## Description

The Preformed Line Products' INSULIGN Guy Strain Insulator series is intended for use with down guys or pole-to-pole guys on overhead lines. The insulative fiberglass rod electrically isolates the guy strand and provides electrical clearance for maintenance crews and the public during normal operation.

## Features

Compared to porcelain strain-type insulators, PLP's fiberglass guy strain insulators provide a greater insulative distance which minimizes the potential and severity of dry and wet flashover. Fiberglass guy strain insulators provide a more durable solution compared to conventional porcelain insulators. INSULIGN Guy Strain Insulators utilize a proprietary veiled fiberglass rod that allows for superior performance when exposed to UV conditions.

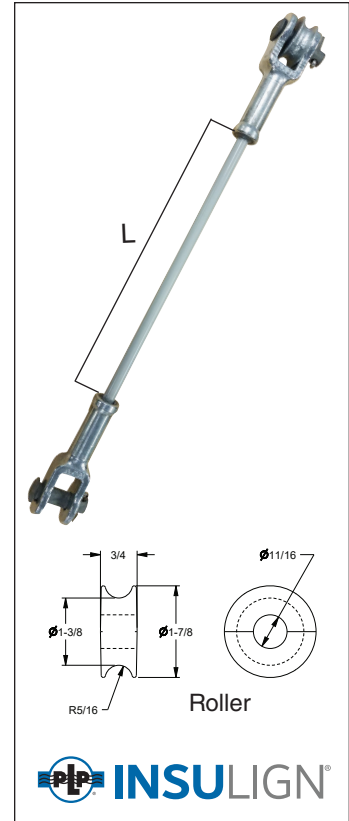
- Veiled fiberglass rod provides superior UV protection
- Crimped end fittings are designed to assure consistent, high-performance holding strength
- Manufactured, tested, and verified to meet PLP's high-quality standards.



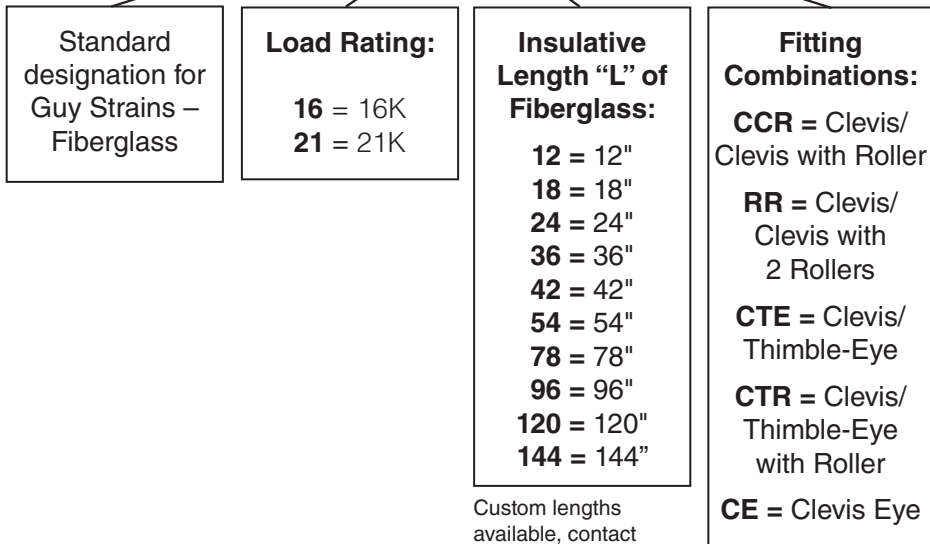
Clevis Roller application



Clevis to Thimble-Eye application



### GSF 21- 54 CCR



Custom lengths available, contact PLP® for more information.



Global Headquarters  
660 Beta Drive  
Cleveland, Ohio 44143

Mailing Address:  
P.O. Box 91129  
Cleveland, Ohio 44101

Telephone: 440.461.5200  
Fax: 440.442.8816  
Website: [preformed.com](http://preformed.com)  
Email: [inquiries@preformed.com](mailto:inquiries@preformed.com)

© 2018 Preformed Line Products  
Printed in U.S.A.  
EN-SS-1238-1  
10.18.IH