

GUY-GRIP® Dead-end

GUY-GRIP Dead-ends, installed at the top, the breaker and the anchor, provide today's most effective method for securing guy strand. This unique, one-piece dead-end is neat in appearance and free from bolts or high-stress holding devices. The GUY-GRIP Dead-end was the first to offer the cabled loop, a feature that provides more durability, easier tensioning and adaptability to multiple guying.

GUY-GRIP Dead-ends are made of the same material as the strand to which they are applied. They should be used on hardware that is held in a fixed position. The fitting should not be allowed to rotate or spin about the axis of the strand. They should not be used as tools including come-alongs, pulling-in grips, etc.

NOMENCLATURE

Cross-over Marks:

(A)—Indicates starting point for application on smaller diameter fittings.

(B)—Indicates alternate starting point for application on larger diameter fittings.

Cabled Loop: Furnished as standard, all sizes.

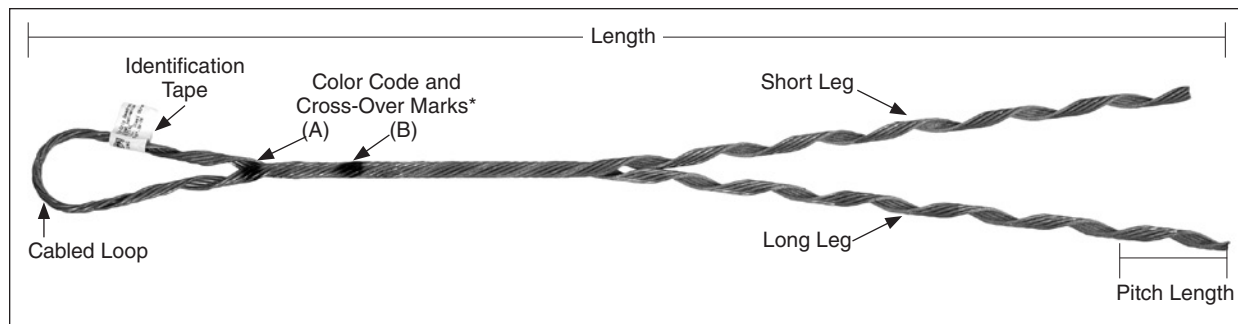
Pitch Length: One complete wrap.

Short Leg-Long Leg: Identifies rods belonging to each leg, after application.

Color Code and Length: Assists in identification of strand size, corresponding to tabular information appearing on price page.

Identification Tape: Shows catalog number, nominal sizes.

Nomenclature



Suggested hardware dimensions for cabled-loop GUY-GRIP Dead-ends

Dead-end dia. Range (in.)		Nominal Strand Sizes (in.)		Seat Dimensions (Figures 1 & 2) (in.)			Minimum Groove dia. (in.) (fig. 2)	Minimum Hole dia.* (in.) (fig. 3)
Min.	Max.	Galvanized Steel	Aluminum-clad Steel	Min. seat dia. at first cross-over mark	Max. seat dia. at first cross-over mark	Max. seat dia. at second cross-over mark		
.123	.143	1/8	—	3/4	1-3/4	—	3/16	1/4
.144	.173	5/32	—	3/4	1-3/4	2-1/2	1/4	5/16
.174	.203	3/16	—	1-0	1-3/4	2-1/2	1/4	3/8
.204	.230	7/32	3 #10, 4M3	1-1/8	1-3/4	2-1/2	5/16	3/8
.231	.259	1/4	7 #12, 6M	1-1/8	1-3/4	2-1/2	5/16	7/16
.260	.291	9/32	7 #11, 8M	1-1/8	1-3/4	2-1/2	3/8	1/2
.292	.336	5/16	7 #10, 10M	1-1/4	1-3/4	2-1/2	3/8	9/16
.337	.394	3/8	7 #8, 14M, 16M	1-3/8	1-3/4	2-1/2	7/16	5/8
.395	.474	7/16	7 #7, 18M, 20M	1-3/8	2-3/8	—	1/2	11/16
.475	.515	**	7 #6	1-3/8	2-3/8	—	9/16	3/4
.516	.570	**	7 #5, 25M	1-1/2	2-5/8	—	5/8	15/16

* Depending on geometric shape of the hole, a hole diameter less than specified may be acceptable.

** Use Big-Grip Dead-ends. (Refer to page 20-7)

Figure 1

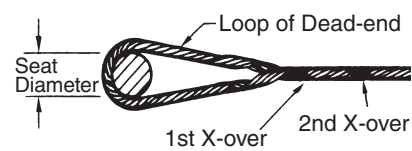


Figure 2

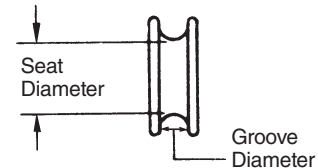
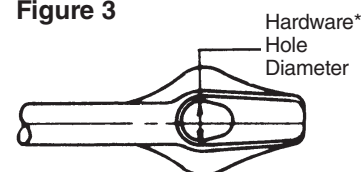



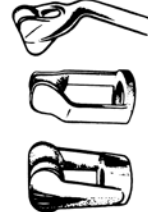
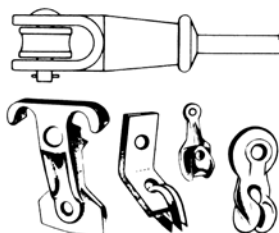

Figure 3





GUY-GRIP® Dead-end

Acceptable Fittings

ANCHOR RODS	THIMBLE EYE-BOLTS, EYENUTS & EYES	POLE FITTINGS	GUY-STRAIN INSULATORS																					
 <p>Anchor Rod Diam.</p> <table border="1"> <tr> <td>1/2"</td> <td>5/8"</td> <td>3/4"</td> <td>1"</td> <td>1-1/4"</td> </tr> </table> <p>Loop Diameters 1" to 1-7/8"</p>	1/2"	5/8"	3/4"	1"	1-1/4"	 <table border="1"> <tr> <td>3/8"</td> <td>7/16"</td> <td>1/2"</td> <td>9/16"</td> <td>5/8"</td> <td>3/4"</td> </tr> </table> <p>Loop Diameters 1" to 2"</p>	3/8"	7/16"	1/2"	9/16"	5/8"	3/4"	 <p>Loop Diameters 1" to 2-3/8"</p>	 <table border="1"> <thead> <tr> <th>NEMA</th> <th>D</th> </tr> </thead> <tbody> <tr> <td>54-1</td> <td>1-3/4"</td> </tr> <tr> <td>54-2</td> <td>2-1/8"</td> </tr> <tr> <td>54-3</td> <td>2-3/8"</td> </tr> <tr> <td>54-4</td> <td>2-3/8"</td> </tr> </tbody> </table> <p>Loop Diameters 1-3/4" to 2-3/8"</p>	NEMA	D	54-1	1-3/4"	54-2	2-1/8"	54-3	2-3/8"	54-4	2-3/8"
1/2"	5/8"	3/4"	1"	1-1/4"																				
3/8"	7/16"	1/2"	9/16"	5/8"	3/4"																			
NEMA	D																							
54-1	1-3/4"																							
54-2	2-1/8"																							
54-3	2-3/8"																							
54-4	2-3/8"																							

For Use on Galvanized Steel Strand								
Catalog Number		Size (mm)	Strand Construction	Mean Diameter (mm)	Length (mm)	Color Code	Units Per Carton	Wt./Lbs. Per Carton
B-Coat	C-Coat							
GDE-1102	GDE-2102	3/16" (4.7)	7W	.186" (4.7)	20" (508)	Red	100	30
			7W	.195" (4.7)				
GDE-1104	GDE-2104	1/4" (6.3)	3W	.259" (6.5)	25" (635)	Yellow	50	24
			7W	.240" (6.0)				
GDE-1106	GDE-2106	5/16" (7.9)	3W	.312" (7.9)	31" (788)	Black	50	39
			7W	.312" (7.9)				
			7W	.327" (7.9)				
GDE-1107	GDE-2107	3/8" (9.5)	3W	.356" (7.9)	35" (788)	Orange	50	51
			7W	.360" (9.1)				
GDE-1108	GDE-2108	7/16" (11.0)	7W	.435" (11.0)	38" (965)	Green	25	40

For use on Mischmetal Alloy (AL/ZN) Strand							
Catalog Number	Size (mm)	Strand Construction	Mean Diameter (mm)	Length (mm)	Color Code	Units Per Carton	Wt./Lbs. Per Carton
BDE-9102	3/16" (4.7)	7W	.186" (5)	20" (508)	Red	100	30
		7W	.195" (5)				
BDE-9104	1/4" (6.3)	3W	.259" (7)	25" (635)	Yellow	50	24
		7W	.240" (6)				
BDE-9106	5/16" (7.9)	3W	.312" (8)	31" (788)	Black	50	39
		7W	.312" (8)				
		7W	.327" (8)				
BDE-9107	3/8" (9.5)	3W	.356" (8)	35" (788)	Orange	50	51
		7W	.360" (9)				
BDE-9108	7/16" (11.0)	7W	.435" (11)	38" (965)	Green	25	40

Notes:

Left hand lay standard.

Big-Grip Dead-end recommended for guying metal towers and antennas.

PLP mischmetal formed wire products are acceptable for use with Bezinal® and Galfan® coated strands.

Bezinal® is a registered trademark of the Bekaert Corporation.

Galfan® is a registered trademark of the Galfan Technology Centre, LLC.

GUY-GRIP® Dead-end

Aluminum-Clad Steel						
Catalog Number	Mean Diameter (mm)	Nominal Strand Size	Length (mm)	Color Code	Units Per Carton	Wt./Lbs. Per Carton
AWDE-4108	.220" (5.5) .220" (5.5)	4M 3 #10	21" (533)	Green	50	20
AWDE-4110	.242" (6.1) .247" (6.2)	6M 3 #9	24" (610)	Yellow	50	20
AWDE-4113	.272" (6.9) .277" (7.0)	8M 3 #8	24" (610)	Blue	50	22
AWDE-4116	.306" (7.7) .306" (7.7) .311" (7.8)	5/16"—7 #10 10M 3 #7	26" (660)	Black	50	29
AWDE-4119	.343" (8.7) .343" (8.7) .349" (8.8)	11/32"—7 #10 12.5M 3 #6	29" (737)	Yellow	50	41
AWDE-4120	.363" (9.2)	14M	31" (787)	Blue	50	53
AWDE-4122	.385" (9.7) .386" (9.8) .392" (9.9)	3/8"—7 #8 16M 3 #5	32" (812)	Orange	50	55
AWDE-4124	.417" (10.5)	18M	34" (864)	Black	25	37
AWDE-4125	.433" (10.9)	7/16"—7 #7	36" (914)	Green	25	40
AWDE-4126	.444" (11.2)	20M	37" (940)	Yellow	10	22

Note: Left hand lay standard. Nominal strand size indicates one of various conductors within each range. Big-Grip Dead-end is recommended for guying metal towers and antennas.

Catalog Number	Size (mm)	Strand Construction	Mean Diameter (mm)	Length (mm)	Color Code	Units Per Carton	Wt./Lbs. Per Carton	Percent of Strand Rated Breaking Strength
Stainless Steel for Type 302 Strand and Type 430 Strand								
SDE-5101	7/32" (5.5)	3W 7W	.224" (5.6) .216" (5.4)	22" (559)	Blue	100	30	100%
SDE-5102	1/4" (6.3)	3W 7W	.259" (6.5) .249" (6.3)	26" (660)	Yellow	50	25	100%
SDE-5103	9/32" (7.1)	7W	.279" (7.0)	27" (686)	Black	50	26	90%
SDE-5104	15/16" (23.7)	3W 7W	.312" (7.9) .312" (7.9)	31" (787)	Orange	50	41	93%
SDE-5105	3/8" (9.5)	3W 7W	.356" (9.0) .360" (9.1)	37" (940)	Green	50	66	83%
SDE-5106	7/16" (11.0)	7W	.435" (11.0)	43" (1092)	Red	25	53	85%
Stainless Steel for Type 316 Strand								
SDE-6101	7/32" (5.5)	3W 7W	.224" (5.6) .216" (5.4)	22" (559)	Blue	100	29	100%
SDE-6102	1/4" (6.3)	3W 7W	.259" (6.5) .249" (6.3)	26" (660)	Yellow	50	25	100%
SDE-6103	9/32" (7.1)	7W	.279" (7.0)	27" (686)	Black	50	26	90%
SDE-6504*	8/16" (7.9)	3W 7W	.312" (7.9) .312" (7.9)	31" (787)	Orange	50	41	93%
SDE-6105	3/8" (9.5)	3W 7W	.356" (9.0) .360" (9.1)	37" (940)	Green	50	66	87%
SDE-6107	1/2" (12.7)	7W	.500" (12.7)	53" (1346)	Blue	10	52	85%

Note: Left hand lay standard. GUY-GRIP Dead-ends for copper-covered steel are also available.

*These Dead-ends utilize the open helix loop design.