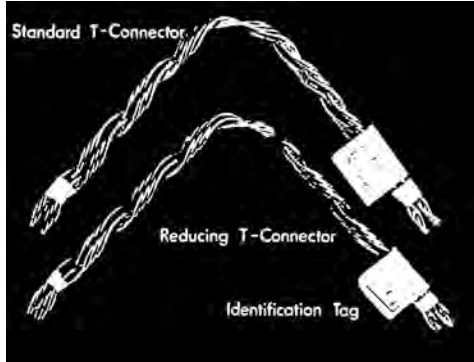


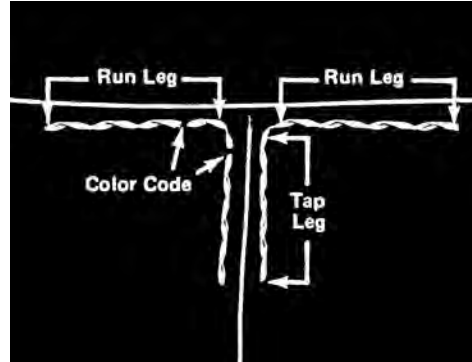


# T-Connector

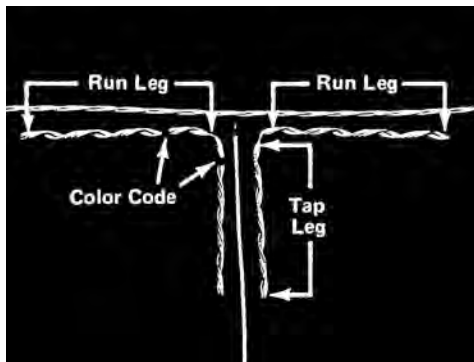
## NOMENCLATURE



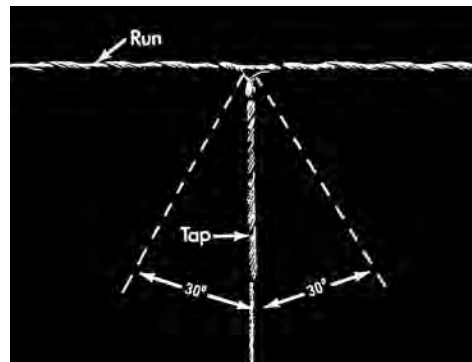
T-Connectors as received in the field



T-Connector For conductors of equal size



T-Connector: Reducing For diameter ratios up to three to one



Line Angles Refer to paragraph below

## GENERAL RECOMMENDATIONS

**Intended Use:** T-Connectors mechanically join slack span laterals (TAP) to vertically spaced primaries (RUN) which can be reached by bucket truck. Extra poles can be eliminated while permitting equal spans for street lighting.

A pair of T-Connectors installed back-to-back provide a mid-span junction for vertically spaced primaries. Poles can be set back from intersections and buck-arms eliminated.

T-Connectors are available for conductors of equal and unequal diameters (REDUCING TYPE).

**Holding Strength:** T-Connectors are conservatively rated at 25% of the RBS (rated breaking strength) of the smallest conductor. Because of their intended use on slack span laterals or junctions of continuous conductors, mechanical requirements are not expected to approach 25% RBS.

**Line Angles:** Slack span laterals (TAP) should not exceed the line angle shown in the illustration, to insure ease of application and to avoid over stressing the T-Connector.

**Conductivity:** T-Connectors, both regular and reducing types, are designed to a minimum conductivity of 100% of the smallest conductor.

T-Connectors are primarily mechanical holding devices. To insure proper long term electrical current transfer, it is suggested that a jumper or shunt be connected directly between the run and tap conductors so that the T-Connector alone is not required to transfer the current.

**APPLICATION-INSPECTION:** All conductors, new or weathered, must be thoroughly scratch-brushed until bright and clean. Immediately thereafter, an industry accepted inhibitor (compatible with the conductor) should be applied before installing the product.

Thermal Rating (Continuous)  
125°C

# T-Connector

**For Conductors of Equal Size**

**For use on:**

**ACSR, Aluminum Alloy**

**All-Aluminum**



Catalog Number	Conductor Size Run and Tap Min.	Diameter Range (Inches)		Color Codes	
		Min.	Max.	Run	Tap
TC-0112	#4, 7W, All Alum.	.229	.239	Brown	Brown
TC-0113		.240	.246	Red	Red
TC-0114	#4, 6/1, 7/1	.247	.257	Orange	Orange
TC-0115	#3, 7W, All Alum.	.258	.270	Green	Green
TC-0116		.271	.280	Yellow	Yellow
TC-0117		.281	.289	White	White
TC-0118	#2, 7W, All Alum.	.290	.298	Purple	Purple
TC-0119		.299	.310	Brown	Brown
TC-0120	#2, 6/1, 7/1 #2, 7W, All Alum.	.311	.325	Red	Red
TC-0121	#1, 7W, All Alum.	.326	.340	Blue	Blue
TC-0122	#1, 5/1	.341	.351	Orange	Orange
TC-0123	#1, 6/1	.352	.367	Green	Green
TC-0124		.368	.380	Black	Black
TC-0125	1/0, 6/1 1/0, 7W, Alum. Alloy	.381	.398	Yellow	Yellow
TC-0126		.399	.413	Purple	Purple
TC-0127	2/0, 7W, All Alum.	.414	.425	Brown	Brown
TC-0128	2/0, 18/1	.426	.443	Red	Red
TC-0129	2/0, 7W, Alum. Alloy	.444	.462	Blue	Blue
TC-0130	3/0, 7W, All Alum.	.463	.481	Green	Green
TC-0131	3/0, 6/1 3/0, 7W, Alum. Alloy	.482	.503	Orange	Orange
TC-0132		.504	.521	Black	Black
TC-0133	4/0, 7W, All Alum.	.522	.544	Yellow	Yellow
TC-0134	4/0, 6/1 4/0, 7W, Alum. Alloy	.545	.567	Red	Red
TC-0135	250, 19W, All Alum. 266.8, 7W-19W, All Alum. 159, 12/7	.568	.594	Blue	Blue
TC-0136	266.8, 18/1 266.8, Alum. Alloy	.595	.618	Purple	Purple
TC-0137	266.8, 26/7 300, 19W-37W, All Alum.	.619	.644	Yellow	Yellow
TC-0138	300, 18/1 336.4, 19W-37W, All Alum.	.645	.671	Brown	Brown
TC-0139	300, 26/7, 30/7 336.4, 18/1, 36/1	.672	.700	Orange	Orange
TC-0140	336.4, 26/7 397.5, 19W-37W, All Alum.	.701	.729	Green	Green
TC-0141	336.4, 30/7 397.5, 18/1	.730	.760	Black	Black
TC-0142	397.5, 26/7 297.5, 19W-37W, Alum. Alloy	.761	.792	Purple	Purple
TC-0143	477, 18/1, 36/1 477, 19W-37W, All Alum.	.793	.825	Red	Red
TC-0144	477, 24/7	.826	.850	Blue	Blue
TC-0145	477, 26/7 556.5, 19W-37W, All Alum.	.851	.886	Orange	Orange
TC-0146	605, 36/1 636, 37W-61W, All Alum.	.887	.929	Black	Black
TC-0147	636, 18/1, 36/1 605, 37W, Alum. Alloy	.930	.968	Brown	Brown
TC-0148	666.6, 24/7 636, 37W, All Alum.	.969	1.008	Yellow	Yellow
TC-0149	795, 36/1 795, 37W-61W, All Alum.	1.009	1.050	Green	Green
TC-0150	795, 45/7 715.5, 37W, Alum. Alloy	1.051	1.091	Black	Black
TC-0151	795, 26/7 795, 37W, Alum. Alloy	1.092	1.136	Purple	Purple

Right-hand lay standard

**EXPLANATORY NOTES:**

- (1) Nominal Conductor Size indicates one of various conductors within each range.
- (2) General Recommendations for T-Connectors are referenced earlier in this section.