

Universal Top-of-Pole Mounts

Single Pole PV Mounting System

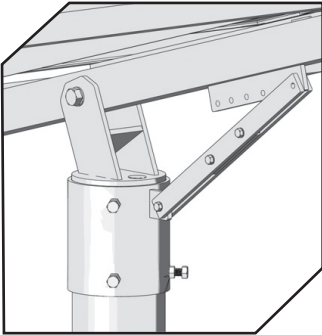


-  COMMUNICATIONS
-  ENERGY
-  SPECIAL INDUSTRIES
-  SOLAR



Key Benefits

- Maximum Strength
- Universal Design – Mounts most 60 cell modules
- Ease of Assembly – Reduced Parts
- Single Ground Penetration
- Seasonal Tilt Angle Adjustment



Ease of Assembly – Reduced Labor Costs

- Slide plates provide easy adjustment
- Compatible with WEEB bonding washers
- Double hole plate aligns module spacing
- Easy access bottom flange bolting



PREFORMED
LINE PRODUCTS

Albuquerque Office
1700 Louisiana Blvd., Suite 130
Albuquerque, NM 87110 USA
Corporate Headquarters
660 Beta Drive
Cleveland, Ohio 44143 USA
Telephone: 800.260.3792
Fax: 505.881.0933
Web Site: www.preformed.com
E-mail: info@plpsolar.com

© 2017 Preformed Line Products
Printed in U.S.A.
SL-SS-1129-5
06.17.IH

Universal Top-of-Pole PV Mounting (UTPM) System

The UTPM is designed to install quickly and provide a secure mounting structure for PV modules on a single pole. The universal design adapts to various 60 cell PV modules and provides for an easy assembly. The UTPM utilizes high strength welded steel components

Maximum Strength – Durable Design

- Standard design withstands 90 MPH wind zones
- Welded steel Strongbacks and mounting sleeves, powder coat finish
- 6000 series structural aluminum mounting rails, mill finish
- Stainless Steel module mounting hardware

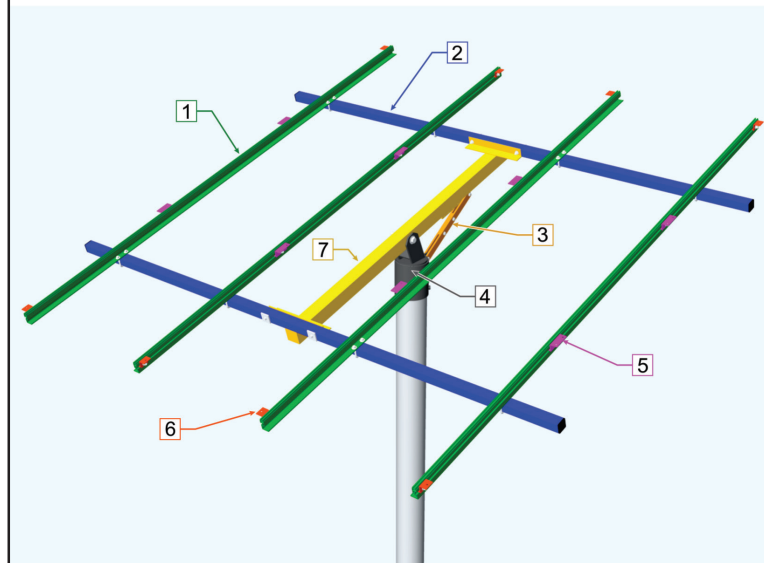
and corrosion resistant hardware for long term reliability. Seasonal adjustability for maximizing electrical production is provided by six different tilt-angle settings and is a single person operation.

Application Flexibility

- Several UTPM sizes available to mount 4 through 15 modules
- Secures most 37 - 42" wide by 61 - 67" long PV modules
- Installs over standard Schedule 40 or 80 rigid steel pipe (Installer Supplied)
- 15° to 65° tilt angle settings (10° increments)
- Mount up to 4 kW on a single pole

Main Structural Components

- | | | | |
|---|-----------------|---|-------------------------|
| 1 | Module Rails | 5 | Double Hole Slide Plate |
| 2 | Cross-Bars | 6 | Single Hole Slide Plate |
| 3 | Support Bar | 7 | Strongback |
| 4 | Mounting Sleeve | | |



Ordering Guideline

UTPM8-G



PLP Module Series



Number of Modules

Options: 4, 6, 8, 10, 12, 14, and 15

Foundation Design Support available
from PLP's staff of engineers.

