

Universal Top-of-Pole Mount Selection and Pricing Guide

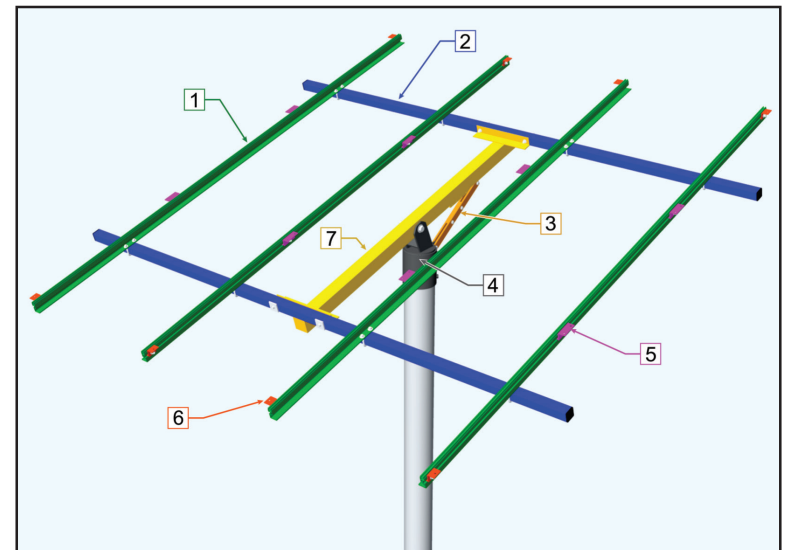
<p>Selection Guide Instructions:</p> <ol style="list-style-type: none"> Determine the Module Series by matching the dimensions to the size range (left column, below). Select number of modules to mount (move across chart) Note - UTPM Configuration block, which includes the standard pipe size, layout and price. Determine Top of Pole Mount part number to order using Ordering Guidelines Block (to the right). <p>Refer to Options page on back for more details.</p> <p>Prices subject to change without notice.</p>	<p>Ordering Guidelines UTPM8-G-AA</p> <p>Number of modules, Options: 4, 6, 8, 10, 12, 14 and 15</p> <p>PLP Module Series</p> <p>Upgrade Options</p>	<p>UTPM Configuration Key</p> <p>6" Pipe ← Standard Pipe Size</p> <p>4h x 2w-L ← Array Layout and Module Orientation (P=Portrait, L=Landscape)</p> <p>\$1,864 ← UTPM Mounting Hardware List Price</p> <p>Based on standard design – 90 mph, 30 psf ground snow load.</p>
--	---	--

MODULE SIZE RANGE (W x L)	PLP MODULE Series	Number of Modules													
		1	2	3	4	6	8	9	10	12	14	15	16	18	
37-42" x 61-67"	G	N/A	N/A	N/A	4" Pipe 2hx2w-L \$828	6" Pipe 3hx2w-L \$1422	6" Pipe 4hx2w-L \$1864	N/A	8" Pipe 5hx2w-L \$2654	8" Pipe 6hx2w-L \$2899	8" Pipe 7hx2w-L \$3810	8" Pipe 5hx3w-L \$4147	N/A	N/A	

ALL PIPE RECOMMENDATIONS CONFORM TO ASCE 7-05, IBC2006. PIPE SIZE MAY VARY PER YOUR SITE CONDITIONS. PLEASE VISIT WWW.PREFORMED.COM AND DOWNLOAD THE TPM REQUEST FOR INFORMATION FORM, FILL OUT AND SEND TO INFO@PLPSOLAR.COM FOR FOUNDATION AND PIPE RECOMMENDATIONS.

Main Structural Component

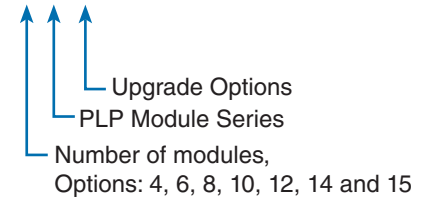
- 1 Module Rails
- 2 Cross-Bars
- 3 Support Bar
- 4 Mounting Sleeve
- 5 Double Hole Slide Plate
- 6 Single Hole Slide Plate
- 7 Strongback



Universal Top-of-Pole Mounting Options Selection and Pricing Guide

Ordering Guidelines

UTPM8-G-AA



Instructions: Add Options to the end of TPM part number in the order listed below
Add Option pricing to base TPM list price

Part Suffix	Description	Part Suffix	Description
SSH	Stainless Steel Hardware for Rack Assembly	8IN	Mounting sleeve upgrade to 8" steel pipe
TRH	Tamper Resistant Hardware for Module Mounting	6IN	Mounting sleeve upgrade to 6" steel pipe
HGS	Hot-dip Galvanized Steel Components	4IN	Mounting sleeve upgrade to 4" steel pipe
PCS	Powder Coated Steel Components	3IN	Mounting sleeve upgrade to 3" steel pipe
PCA	Powder Coated Aluminum Components	2.5IN	Mounting sleeve upgrade to 2.5" steel pipe
AA	Anodized Aluminum Components		

2. Finish Upgrade		Price Adder
HGS	Hot-dip Galvanized Steel Components	60%
PCS	Powder Coated Steel Components	25%
PCA	Powder Coated Aluminum Components	20%
AA	Anodized Aluminum Components	20%

3. Tamper Resistant Hardware for Module Mounting

# of Mod	4	6	8	10	12	14	15
Add	\$35	\$45	\$55	\$65	\$75	\$85	\$90

TRH Package includes stainless steel pin-in-hex machine screws with nylon-insert lock nuts and matching hex-key

4. Stainless Steel Hardware for Rack Assembly

# of Mod	4	6	8	10	12	14	15
Add	\$40	\$60	\$80	\$95	\$130	\$140	\$150

SSH Package includes 100% stainless hardware for the structure

5. Mounting Sleeve Upgrade

Standard Mounting Pole		2.5"	3"	4"	6"	8"
	2"	\$25	\$30	\$40	\$105	\$280
2.5"	–	\$25	\$35	\$100	\$260	
3"	–	–	\$30	\$95	\$250	
4"	–	–	–	\$90	\$245	
6"	–	–	–	–	\$220	



Albuquerque Office
1700 Louisiana Blvd.
Suite 130
Albuquerque, NM 87110 USA
Corporate Headquarters
660 Beta Drive
Cleveland, Ohio 44143 USA

Telephone: 800.260.3792
Fax: 505.889.3548
Web Site:
www.preformed.com
E-mail: info@plpsolar.com

© 2017 Preformed Line Products
SL-PL-1008-2
06.17.00