



## CSK

### Screw cable lug for Cu and Al

longitudinally sealed, with shear head bolts, for low and medium voltage

Screw cable lug for RM/SM/RE/SE aluminium and copper conductors, suitable for indoor and outdoor terminations.

#### Material

- Aluminium tin-plated

#### Application/Suitability

- For connecting conductors class 1 and class 2 in compliance with DIN-EN / IEC 60228

#### Test standards

- IEC 61238-1

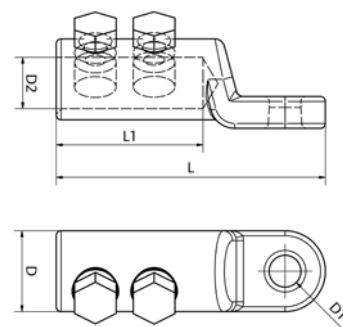


#### Scope of delivery

Screw cable lug, assembly instructions

Note: BBC Cellpack counter-holder recommended for installation (see Accessories). Application according to AWG, ISWG and BWG standards on request.

#### Dimensions



L = Length

L1 = Centric bore hole

D = Outer diameter

D1 = Plate bore diameter

D2 = Bore hole diameter

PLP Part No.	Type	L mm	L1 mm	D mm	D1 mm	D2 mm	Number of bolts	
CPA-CSK-006-050-M12	CSK	6-50	65	30	22	13	9.4	1
CPA-CSK-016-095-M12		16-95	65	30	22	13	12.5	1
CPA-CSK-050-150-M12		50-150	80	35	28	13	16	1
CPA-CSK-095-240-M12		95-240	110	60	33	13	20	2
CPA-CSK-095-240-M16		95-240 DM17	110	60	33	17	20	2
CPA-CSK-240-400-M16		240-400	135	75	40	16.5	26	2

#### AUTHORISED DISTRIBUTOR



Preformed Line Products (Australia) Pty Ltd | ABN 27 004 533 877  
 190 Power St Glendenning, NSW 2761 Australia  
 Mail Address: PO Box 626, St. Marys NSW 1790 Australia  
 +612.8805.0000 | sales@preformed.com | www.preformed.com.au