

Cable Clamps & Blocks



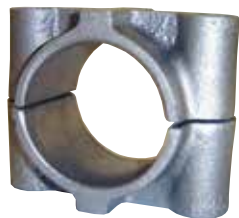
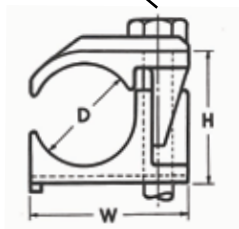
D-CAB

Cable Clamp - Single Way Single Bolt Clamp (Type CAB)

- A self aligning, interlocking, non-magnetic clamp
- Fits standard channels

Part Number	Cable Ø D (mm)		Dimensions (mm)		
	Min	Max	H	W	Bolt Ø
D-CAB5125	19	25	31	41	10
D-CAB5130	24	30	36	46	10
D-CAB5135	29	35	41	51	10
D-CAB5141	34	41	48	58	10
D-CAB5147	40	47	54	64	10
D-CAB5154	46	54	61	71	10

(Bolt not supplied)

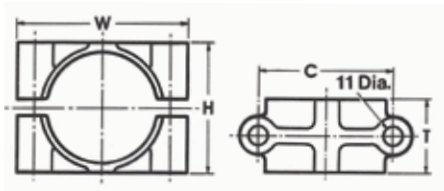


D-CAB

Cable Clamp - Single Way Two Bolt Clamp (Type CAB)

- For larger diameter cables
- Non magnetic
- For flat or channel mounting

Part Number	Cable Ø (mm)	Dimensions (mm)			
		H	C	T	W
D-CAB5960	55-60	72	73	45	96
D-CAB5967	60-67	79	80	45	105
D-CAB5974	67-74	88	89	50	112
D-CAB5981	74-81	95	96	50	121
D-CAB59105NI	101-105	124	120	65	154



Note: Fasteners not included

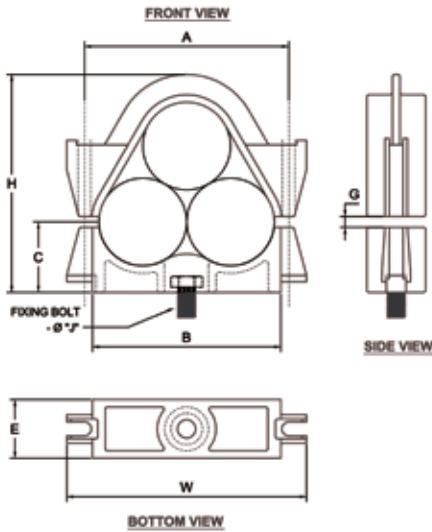
Cable Clamps & Blocks



D-CAB

Cable Clamps (Type CAB) - Three Way

- Three Way (Trefoil) 2 Bolt Clamps
- High strength cast aluminium
- 20kN bursting strength

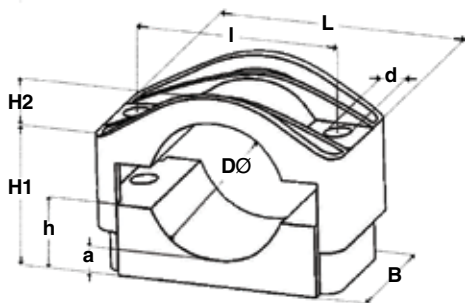


Part Number	Cable O.D. (mm)	Clamp Dimensions (mm)								
		A	B	C	E	G	H	J	K Bolt Ø	W
D-CAB5420	19 - 20	65	73	17.5	37	5	63	-	8	73
D-CAB5427	25 - 27	65	80	20	38	5	67	-	8	86
D-CAB5429	27 - 29	70	80	20	38	5	70	-	8	90
D-CAB5435	33.5 - 35	86	76	30	38	5	89	10	8	104
D-CAB5437	35 - 37	89	79	32	38	5	95	12	10	111
D-CAB5440	38 - 40	98	87	35	41	6.5	104	12	10	118
D-CAB5441	39 - 41	98	87	35	41	6.5	104	12	10	121
D-CAB5442	40.5 - 42.5	102	94	35	41	6.5	111	12	10	124
D-CAB5444	42 - 44	104	96	35	41	6.5	104	12	10	126
D-CAB5446	44.5 - 46.5	108	102	38	45	6.5	111	12	10	128
D-CAB5448	46 - 48	114	106	39	45	6.5	118	12	10	132
D-CAB5449	48 - 50	115	108	41	45	6.5	127	12	10	137
D-CAB5452	50 - 52	120	112	42	45	6.5	130	12	10	142
D-CAB5454	52 - 54	126	116	42	45	6.5	131	12	10	148
D-CAB5456	54 - 56	127	120	44	46	6.5	135	12	10	150
D-CAB5459	56.5 - 59	130	121	45	48	6.5	137	16	10	152
D-CAB5466	63.5 - 66	151	146	50	48	6.5	165	16	10	178
D-CAB5472	66 - 72	165	160	52	60	6.5	158	-	12	195
D-CAB5476	74 - 76	172	170	54	62	6.5	165	-	12	202
D-CAB5478	76 - 78	192	165	55	60	10	170	-	12	225
D-CAB5482	80 - 82	196	178	66	64	10	204	16	12	228

Notes:

- Bolt assemblies included as pictured
- Fixing bolt not included

Cable Clamps & Blocks



PSCCS

Plastic Substation Cable Clamp Single

The Single Hole type cable clamps fasten a wide range of single and multi conductor low, medium and high voltage cables. Designed to provide superior mechanical strength, ideal for installations where cables are subject to short circuits. The wide contact area provides controlled pressure on the cable to prevent damage to the conductor insulation. Contact PLP with specific requirements and conductor diameters.

Characteristics:

- Made of glass fibre reinforced polyamide (PA)
- Resistant to oils, UV, ozone, salts, moisture, acids and even radioactive emissions
- Self-extinguishing V-0 (UL94), halogen-free, low smoke
- Temperature range from -40°C to 120°C
- Black coloured
- Available pre-mounted
- Stainless steel fasteners included

Testing:

By UL, KEMA, Eaton and Centrilab (reports available upon request).

Type	Dimensions (mm)									Mechanical Strength
	DØ	L	B	I	d	H1	H2	h	a	
PSCCS26-38	26-38	92	60	60	12	33-49	7	18	7	30,000Nm
PSCCS36-52	36-52	105	60	75	12	39-55	15	23	8	20,000Nm
PSCCS50-75	50-75	126	60	95	12	46-71	22	30	9	20,00Nm
PSCCS75-100	75-100	200	80	150	12	70-95	32	45	10	68,000Nm
PSCCS100-135	100-135	225	82	175	15	85-120	43	58	10	67,400Nm



Dutchclamp®

Cable Clamps & Blocks



PSCCT

Plastic Substation Cable Clamp Triple

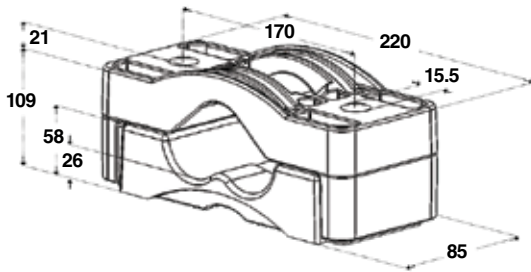
Triple type cable clamps fasten a wide range of single and multi conductor low, medium and high voltage cables in triangular formation. Designed to provide superior mechanical strength, ideal for installations where cables are subject to short circuits. The wide contact area provides a controlled pressure on the cable and prevents damage to the conductor insulation. Contact PLP with specific requirements and conductor diameters.

Characteristics:

- Made of glass fibre reinforced polyamide (PA)
- Resistant to oils, UV, ozone, salts, moisture, acids and even radioactive emissions
- Self-extinguishing V-0 (UL94), halogen-free, low smoke
- Temperature range from -40°C to 120°C
- Black coloured
- Available pre-mounted
- Stainless steel fasteners included

Testing:

By UL, KEMA, Eaton and Centrilab (reports available upon request).



Part Number	Dimensions (mm)									Mechanical Strength
	DØ	L	B	l	d	H1	H2	h	a	
PSCCT27-38	3X27-38	180	75	125	15.5	63	12	35	16.5	35,900Nm
PSCCT38-51	3x38-51	195	80	145	15.5	84	16	45	20	39,800Nm
PSCCT51-69	3x51-69	220	85	170	15.5	109	21	58	26	69,900Nm
PSCCT69-90	3x69-90	266	90	215	15.5	-	-	72	-	47,800Nm
PSCCT90-118	3x90-118	321	100	270	15.5	-	-	89	-	55,400NM

Cable Clamps & Blocks



PSCCB

Plastic Substation Cable Clamp Blocks

Cable Blocks fasten cable diameters from 12 mm up to 32 mm. By means of 2 block parts, 4 cables can be fastened alongside each other. Additional cables are able to be fastened alongside each other by coupling the block parts together using the standard dovetail connection. Contact PLP with specific requirements and conductor diameters.

Characteristics:

- Made of glass fibre reinforced polyamide (PA).
- Resistant to oils, UV, ozone, salts, moisture, acids and even radioactive emissions.
- Self-extinguishing V-0 (UL94), halogen-free, low smoke.
- The mounting holes are Ø13 mm, allowing the all thread to be extended with threaded bushes at any desired location, thereby eliminating the possibility of damage when cables are installed in multiple layers. The existing configuration can be expanded at any time... easily, simply and at little cost.
- Temperature range from -40°C to 120°C.
- Mechanical strength: 29,500 Nm.
- Stackable.
- Dovetail connections for end-to-end attachment.
- Black coloured.
- Available pre-mounted.
- Fasteners meeting your specifications can be included

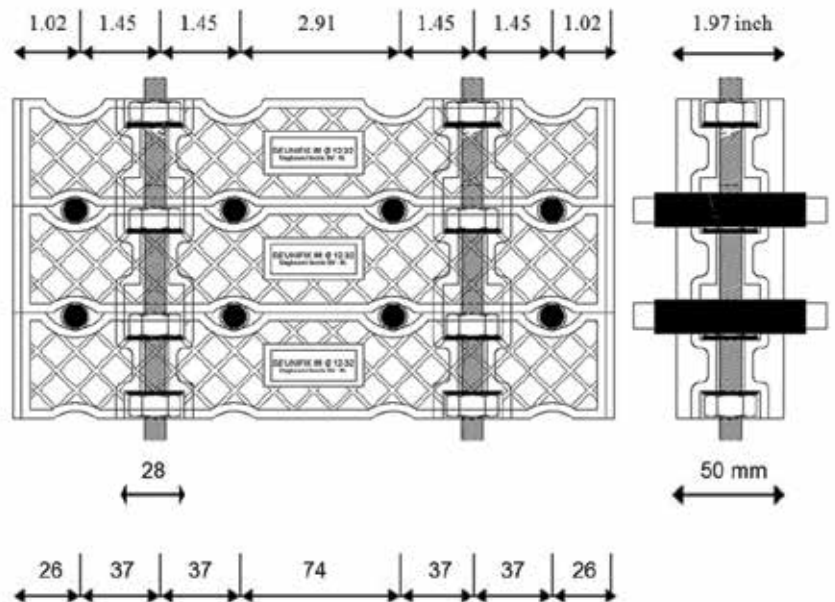
Testing:

By UL, KEMA, Eaton and Centrilab (reports available upon request).

PSCCB-Ø			
No. Of Cables	Qty of PSCCB	Cable Ø	Cable Ø
4	2	12-32	32-48
8	3	12-32	32-48
12	4	12-32	32-48
16	5	12-32	32-48
20	6	12-32	32-48

Part Number System

PSCCB	Multiple Clamp
12-32	Diameter of Cable (Ø)



Dutchclamp®

Cable Clamps & Blocks



POLEFIX

Applications:

Using a stainless steel strap and two Polefix holders, all types of Dutchclamp cable clamps, cable blocks and other products can be attached to (steel or concrete) poles that may not or cannot be drilled into.

Characteristics:

- Made of glass fibre reinforced polyamide (PA).
- Resistant to oils, UV, ozone, salts, moisture, acids and even radioactive emissions.
- Self-extinguishing V-0 (UL94), halogen-free, low smoke.
- Temperature range from -40 °C to 120 °C.
- Black coloured.

Dimensions in (mm)

Part Number	Mounting Hole \varnothing	L	W	H	Thickness	Groove Length	Groove Width
Polefix	15	80	47	33	6	40	2.5