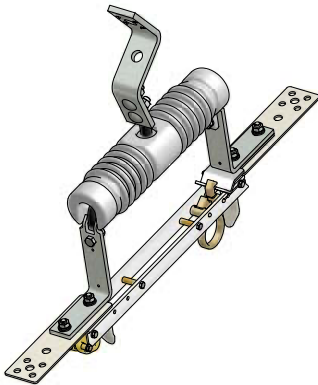




Section 1 - Distribution Switchgear

Table of Contents	Section/Page
Single Phase Overhead Distribution Disconnectors - Type SIL	1-2
Specifications.....	1-2
Mounting Options.....	1-3
Insulator Options.....	1-3
Single Phase Overhead Distribution Disconnectors - Type DIL.....	1-4
Specifications.....	1-4
Mounting Options.....	1-5
Insulator Options.....	1-5
Single Phase Overhead Distribution Disconnectors - Type SL.....	1-6
Specifications.....	1-6
Mounting Options.....	1-7
MV Single Phase Disconnecter - Line Tap (Tee-off).....	1-8
Specifications.....	1-8
Mounting Options.....	1-9
Insulator Options.....	1-9
Overhead Distribution - Smart Bypass Kit.....	1-10
Specifications.....	1-10
Mounting Options.....	1-11
Insulator Options.....	1-11
MV Switch Disconnectors - Side Break.....	1-12
Specifications.....	1-12
Mounting Options.....	1-13
Insulator Options.....	1-13
MV Switch Disconnecter - Vertical Break.....	1-14
Specifications.....	1-15
Insulator Options.....	1-15

Distribution Switchgear



Single Phase Overhead Distribution Disconnectors Type SIL

The SIL Disconnect is a single phase, single insulator disconnecter designed for medium voltage outdoor overhead distribution systems rated up to 36kV.

The SIL Disconnect is used on overhead distribution feeders to provide a visible isolation point for line or equipment maintenance purposes. It is easily operated from ground level using a standard extendable hook stick.

The SIL Disconnect is designed for mounting on the crossarm and offers light, reliable and quick installation without disturbing existing line infrastructure.

FEATURES

- Standard hook stick operation.
- Light construction minimises installation OH&S issues.
- Quick and easy to mount on to existing crossarm
- Mounting bracket allows angled or underslung horizontal mounting
- Minimal site disruption
- Self wiping contacts and hinge end contact blades ensure low contact resistance and temperature rise
- Hinge end contact blade ensures current does not flow through the pivot joint
- Silver plated contact to contact interface for low temperature rise, low maintenance and long life
- Insulator available in porcelain or polymer
- Positive latch mechanism prevents opening during faults, vibration and wind loading
- Earth points can be provided
- Complies with AS62771.102.2005 and IEC 62771.102.2003 standards

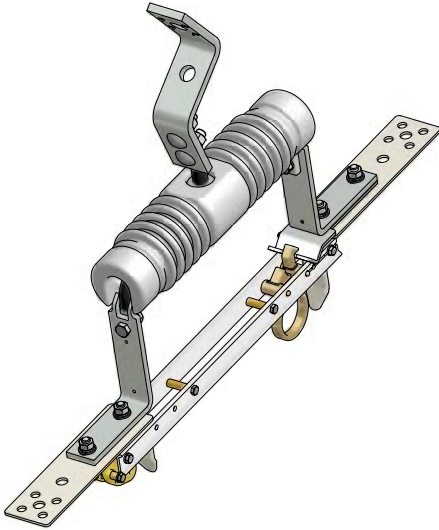
Specifications

Technical Characteristics				
Rated Voltage	kV	12, 24, 36		
Load Current Rating	Amp	630, 1000		
Rated Short Time (3 sec) Withstand Current	kA	25		
Rated Frequency	Hz	50/60		
Insulator Material Options		Porcelain & Polymer		
Rated Voltage		12 & 24kV	24kV	36kV
Insulator BIL	kVp	125	150	170
Insulator Length	mm	609	609	698
Angle from vertical (Angled mount option)	Degrees	36	36	36

Distribution Switchgear

Mounting Options

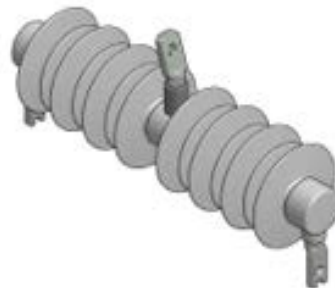
'Z' or NEMA Mounting Bracket



Insulator Options



Porcelain



Polymeric



Distribution Switchgear



Single Phase Overhead Distribution Disconnectors Type DIL

The DIL Disconnect is a single phase, underslung, double insulator, disconnecter designed for medium voltage outdoor overhead distribution systems rated up to 36kV.

Rated up to 1,000A continuous current and 25kA for 3 seconds fault level, the proven safety and reliability of the DIL series makes it a first choice for a quality long life disconnecting link.

The DIL Disconnect is used on overhead distribution feeders to provide a visible isolation point for line or equipment maintenance purposes. It is easily operated from ground level using a standard extendable hook stick.

The disconnecter may be mounted horizontally underneath a pole crossarm, at an angle or horizontally, depending on system design requirements.

FEATURES

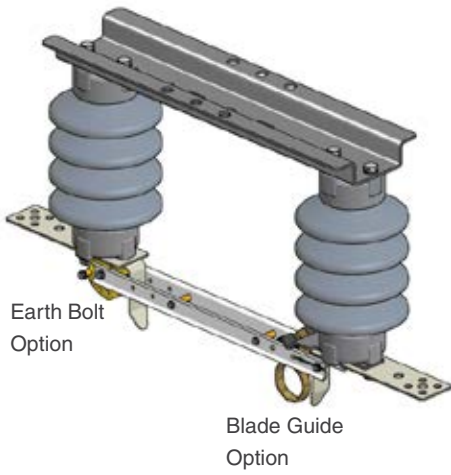
- Standard hook stick operation
- Light construction minimises installation OH&S issues
- Positive latch mechanism prevents opening during faults, vibration and wind loading
- Quick and easy installation
- Self wiping contacts and hinge end contact blades ensure low contact resistance and temperature rise
- Hinge end contact blade ensures current does not flow through the pivot joint and ensuring correct blade alignment
- Silver plated contacts for low temperature rise, low maintenance and long life
- Robust, long life insulator
- Complies with AS62771.102.2005 and IEC 62771.102.2003 standards

Specifications

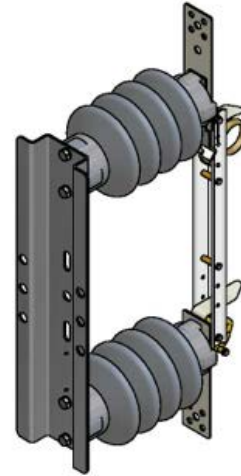
Technical Characteristics			
Rated Voltage	kV	12, 24, 36, 72.5	
Load Current Rating	Amp	800, 1000, 1250, 1600	
Rated Short Time (3 sec) Withstand Current	kA	25	
Rated Frequency	Hz	50/60	
Insulator Material Options		Porcelain Polymeric Cycloaliphatic	
Rated Voltage		12 & 24kV	36kV
Insulator BIL	kVp	125, 150	200
<i>Dimensions below are for 150kV BIL Porcelain Insulator</i>			
Insulator Spacing	mm	505	595
Link Blade Width	mm	450	540
Terminal Palm Centre to Centre Dimension	mm	700	790
Insulator Height	mm	300	350
Mounting Channel Depth	mm	40	

Distribution Switchgear

Mounting Options



Horizontal



Vertical

Insulator Options



Porcelain

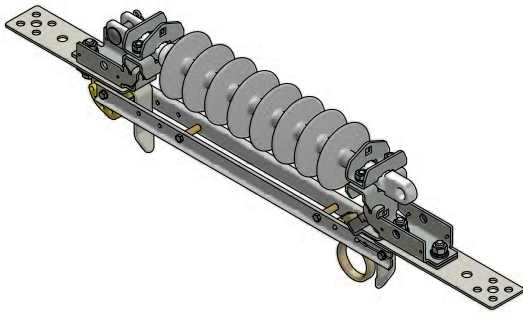


Cycloaliphatic



Polymeric

Distribution Switchgear



Single Phase Overhead Distribution Disconnectors Type SL

The SL Line Tension Disconnect is a single phase, single insulator disconnecter designed for medium voltage outdoor overhead distribution systems rated up to 36kV.

Rated up to 1,000A continuous current and 25kA for 3 seconds fault level, the proven safety and reliability of the SL series makes it a first choice for a quality long life disconnecting link.

The SL line tension disconnecter offers light, reliable and quick installation without disturbing existing line infrastructure. When combined with a single phase bypass disconnectors in a 3 phase smart bypass kit, substantial cost and time savings for recloser, sectionaliser and load break switch bypass applications can be achieved.

OPTIONS:

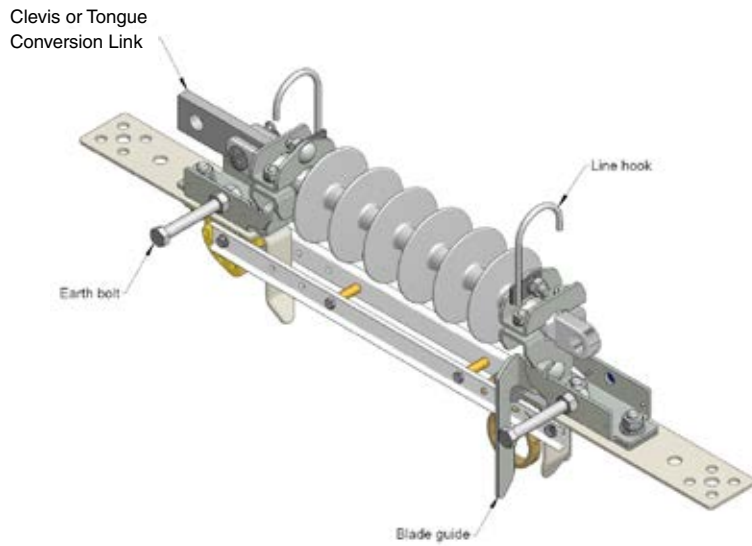
- Standard hook stick operation
- Light construction minimises installation OH&S issues
- Positive latch mechanism prevents opening during faults, vibration and wind loading
- Fast installation. Quick and easy to rig on to existing line
- Minimal site disruption
- Self wiping contacts and hinge end contact blades ensure low contact resistance and temperature rise
- Hinge end contact blade ensures current does not flow through the pivot joint
- Silver plated contacts for low temperature rise, low maintenance and long life
- Robust, long life insulator
- Complies with AS62771.102.2005 and IEC 62771.102.2003 standards

Specifications

Technical Characteristics		
Rated Voltage	kV	12, 24, 36
Insulator Material		Polymeric
Insulator BIL	kVp	200
Dry Withstand Voltage	kV/1 minute	80
Load Current Rating	Amp	800, 1000
Rated Frequency	Hz	50/60
Rated Short Time (3 sec) Withstand Current	kA	25
Line Tension	kN	70
Rated Torsion	N-m	47
Width, Palm to Palm	mm	668
Width, Insulator Eye Centres	mm	460
Height, Insulator Centre Line to Hook Stick Ring	mm	197

Distribution Switchgear

Mounting Options (for installation only)



Distribution Switchgear



MV Single Phase Disconnecter

Line Tap (Tee-off)

The AEM Bypass Disconnecter is a line mounted single phase Air Break Disconnecter designed for Medium Voltage (MV) outdoor overhead Distribution Systems up to 36kV.

Rated up to 1,000A continuous current and 25kA for 3 seconds fault level, the proven safety and reliability of the SLB series makes it a first choice for a quality long life disconnecting link.

The bypass disconnecter offers light, reliable and quick installation without disturbing existing line infrastructure. When combined with AEM single phase suspension disconnectors in a 3 phase smart bypass kit, substantial cost and time savings for recloser, sectionaliser and voltage regulators bypass applications can be achieved.

Complies with AS62771.102.2005 and IEC 62771.102.2003 standards.

SAFETY:

- Standard hook stick operation
- Light construction minimises installation OH&S issues
- Positive latch mechanism prevents opening during faults, vibration and wind loading

PERFORMANCE:

- Fast installation. Quick and easy to rig on to existing line
- Minimal site disruption
- 800A and 1,000A Rated current
- 25kA for 3 seconds fault rating
- 200kV peak insulator BIL rating
- Self wiping contacts and hinge end contact blades ensure low contact resistance and temperature rise

RELIABILITY:

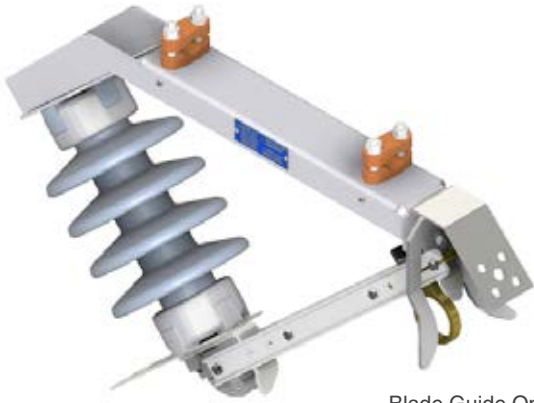
- Hinge end contact blade ensures current does not flow through the pivot joint
- Silver plated contacts for low temperature rise, low maintenance and long life
- Robust, long life insulator

Specifications

Technical Characteristics			
Rated Voltage	kV	12, 24, 36	
Load Current Rating	Amp	800, 1000	
Rated Short Time (3 sec) Withstand Current	kA	25	
Rated Frequency	Hz	50/60	
Insulator Material Options		Porcelain Polymeric Cycloaliphatic	
Rated Voltage		12 & 24kV	36kV
Insulator BIL	kVp	125, 150	200
<i>Dimensions below are for 125kV BIL Cycloaliphatic Insulator</i>			
Insulator Height	mm	286	595
Vertical Height (top to lowest palm tip)	mm	440	558
Length	mm	713	868

Distribution Switchgear

Mounting Options



Blade Guide Option

Earth Bolt Option

Insulator Options



Porcelain



Cycloaliphatic

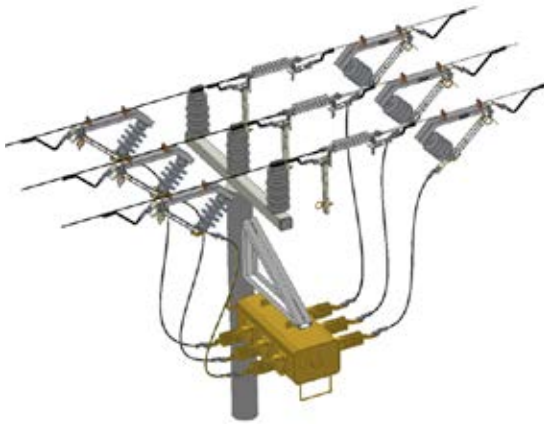


Polymeric

Distribution Switchgear

Overhead Distribution

Smart Bypass Kit



The PLP Smart Bypass kit is a 3 phase line-mounted line tension disconnecter and line tap (Tee-off) disconnecter set for use in overhead Medium Voltage (MV) systems up to 36kV.

Rated up to 1,000A continuous current and 25kA for 3 seconds fault level, the proven safety and reliability of the kit makes it a first choice for a quality long life bypass solution.

The Smart Bypass kit offers light, reliable and quick installation without disturbing existing line infrastructure. Substantial cost and time savings for recloser, sectionaliser, voltage regulators and other pole mount devices may be achieved.

FEATURES:

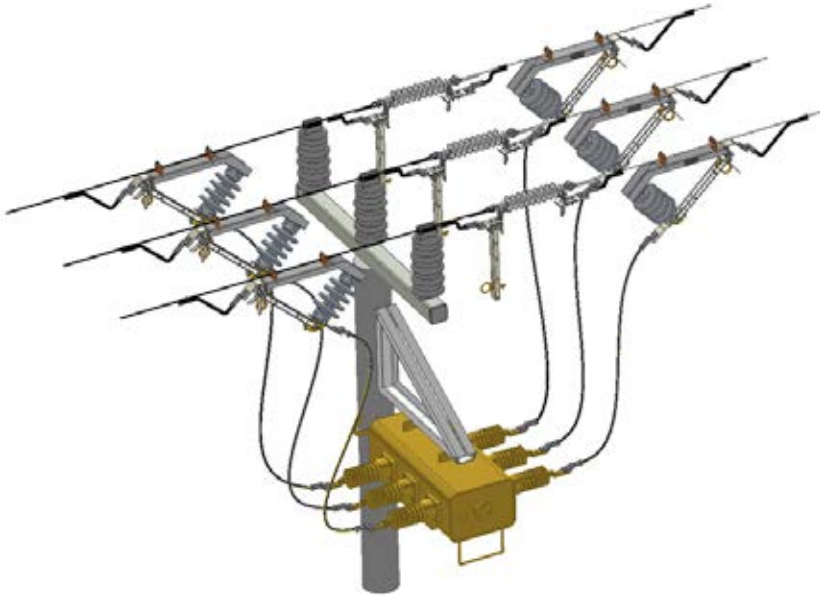
- Standard hook stick operation
- Light construction minimises installation OH&S issues
- Positive latch mechanism prevents opening during faults, vibration and wind loading
- Fast installation. Quick and easy to rig on to existing line:
 - No need to replace pole
 - No extra crossarms
 - No air break disconnecter
 - No conductor re-stringing
- Self wiping contacts and hinge end contact blades ensure low contact resistance and temperature rise
- Easy isolation and bypass to allow testing, programming and repair
- Hinge end contact blade ensures current does not flow through the pivot joint
- Silver plated contacts for low temperature rise, low maintenance and long life
- Robust, long life insulators
- Complies with AS62771.102.2005 and IEC 62771.102.2003 standards

Specifications

Technical Characteristics			
Rated Voltage	kV	12, 24, 36	
Load Current Rating	Amp	800, 1000	
Rated Short Time (3 sec) Withstand Current	kA	25	
Rated Frequency	Hz	50/60	
Insulator Material Options		Porcelain Polymeric Cycloaliphatic	
Rated Voltage		12 & 24kV	36kV
Insulator BIL	kVp	125, 150	200

Distribution Switchgear

Mounting Options



Insulator Options



Porcelain

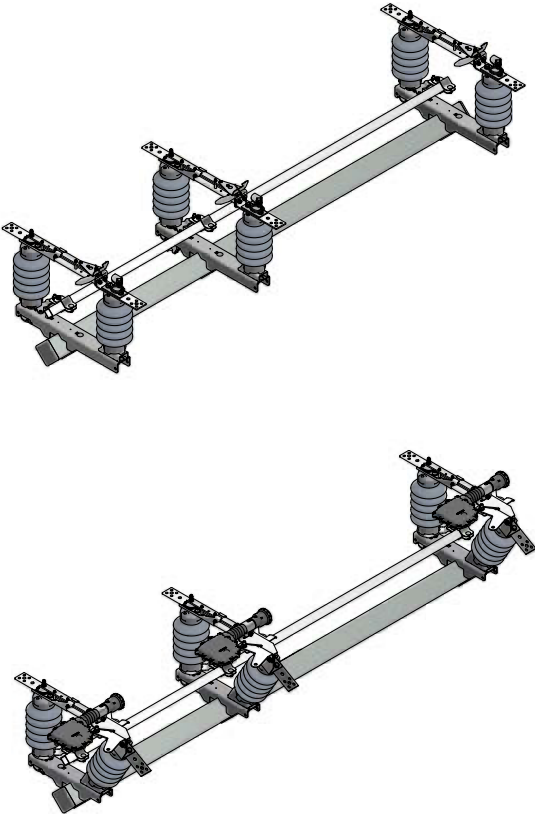


Cycloaliphatic



Polymeric

Distribution Switchgear



MV Switch Disconnectors

Side Break

The PLP Side Break Switch Disconnecter is a pole mounted 3 phase Air Break Switch designed for Medium Voltage (MV) outdoor overhead Distribution Systems.

Rated up to 1,250A continuous current and 25kA for 3 seconds fault level, the proven safety and reliability of the SB series makes it a first choice for a quality long life network switch.

OPTIONS:

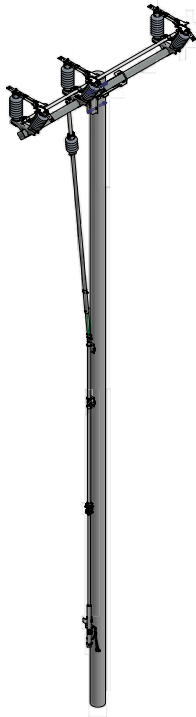
- 630A load break & make switching to AS60265.1:2001, class E2 limited purpose switch standard
- Light construction (70kg - 100kg) minimises installation OH&S issues
- Optional hook stick actuator eliminating street level copper theft. Mistake proof operator switching action with positive drive and directional locking
- Fast installation:
 - Quick/easy to rig - optional pole position markings for fast and mistake-proof mounting
 - Minimal site adjustment - Single telescopic downrod clamp eliminates cutting/ drilling
 - Quick and easy phase spacing adjustment
- 630A load break and make switching to AS60265.1:2001, class E2 (Australian Patent Applied for)
- Self wiping contacts ensure low contact resistance and temperature rise.
- Low operating force for easy manual operation
- Stainless steel phase bearers and components for corrosion free lifetime, even in coastal environments
- Powder coated aluminium cross arm and interface.
- Drawings plus Installation, operation and maintenance manuals provided (also downloadable)
- Teflon coated long life low torque bearings
- Minimal maintenance, no periodic field adjustments needed
- Field replaceable parts
- Complies with AS62771.102.2005 and IEC 62771.102.2003 standards

Specifications

Technical Characteristics		Switch Disconnecter	Disconnecter
Rated Voltage	kV	12,24,36	
Insulators			
a) Material		Porcelain or Cycloaliphatic or Polymer	
b) BIL	kVpk	125, 150, 170, 200	
c) Creepage	mm	500, 610, 750, 1000	
d) Orientation		Parallel (Vertical) or Angled	
Load Break Current	Amp	630	<= 15
Load Make Current	kVpk	630 (If make guard fitted)	<= 15
Rated Frequency	Hz	50/60	
Normal Current Rated	Amp	630, 800, 1000, 1250	
Rated Short Time (3 sec) Withstand Current	kA	25	
Actuator Type		Handle or Auto Locking Mid Pole Hook Stick Operator	
a) Drive Type		Rotary or Up - Down	
Switch Orientation		Horizontal or Vertical	
Switch Pole Position		Front & Top or Top or Mid Pole	
Pole Bracket Mounting		Pole Front or Pole Side or Structure	
Cross Arm Material		Aluminium or Galvanised Steel, or Composite	
Downrod Material		Insulated (composite) or 32NB Galvanised Pipe	

Distribution Switchgear

Mounting Options



Pole Top



Mid Pole

Insulator Options



Porcelain

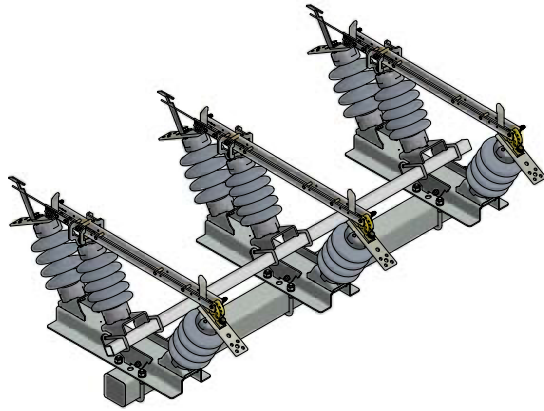


Cycloaliphatic



Polymeric

Distribution Switchgear



MV Switch Disconnecter

Vertical Break

The AEM Vertical Break Switch Disconnecter is a pole mounted 3 phase Air Break Switch designed for Medium Voltage (MV) outdoor overhead Distribution and Substation Systems.

Rated up to 1250A continuous current and 25kA for 3 seconds fault level, the AEM vertical break disconnecter's proven safety and reliability make it a first choice for a quality long life switch in high current applications.

OPTIONS:

- 630A load break & make switching to AS60265.1:2001, class E2 limited purpose switch standard
- Light construction (70kg ~ 100kg) minimises installation OH&S issues
- Optional hook stick actuator eliminates street level copper theft. Mistake proof operator switching action with positive drive & directional locking
- Fast installation:
 - Light and easy to rig – optional pole position markings for fast and mistake-proof mounting
 - Minimal site adjustment. Single telescopic downrod clamp eliminates cutting and drilling
 - Quick and easy phase spacing adjustment
- 630A load break & make switching to AS60265.1:2001, class E2 (*Australian Patent Applied for*)
- Self wiping contacts and hinge end contact blades ensure low contact resistance and temperature rise
- Low operating force for easy manual operation
- Stainless steel phase bearers and components for corrosion free lifetime, even in coastal environments
- Powder coated aluminium cross arm and interface
- Drawings plus Installation, operation and maintenance manuals provided (also downloadable)
- Minimal maintenance, no periodic field adjustments needed
- Field replaceable parts
- Complies with AS62771.102.2005 and IEC 62771.102.2003 standards

Distribution Switchgear

Specifications

Technical Characteristics		Switch Disconnecter	Disconnecter
Rated Voltage	kV	12,24,36	
Insulators			
a) Material		Porcelain or Cycloaliphatic or Polymer	
b) BIL	kVpk	125, 150, 170, 200	
c) Creepage	mm	500, 610, 750, 1000	
d) Orientation		Parallel (Vertical) or Angled	
Load Break Current	Amp	630	<= 15
Load Make Current	Amp	<= 15	<= 15
Rated Frequency	Hz	50/60	
Normal Current Rated	Amp	630, 800, 1000, 1250	
Rated Short Time (3 sec) Withstand Current	kA	25	
Actuator Type		Handle or Auto Locking Mid Pole Hook Stick Operator	
a) Drive Type		Up - Down	
Switch Orientation		Horizontal or Vertical	
Switch Pole Position		Front & Top or Top or Mid Pole	
Pole Bracket Mounting		Pole Front or Pole Side or Structure	
Cross Arm Material		Aluminium or Galvanised Steel, or Composite	
Downrod Material		Insulated (composite) or 32NB Galvanised Pipe	

Insulator Options



Porcelain



Cycloaliphatic



Polymeric