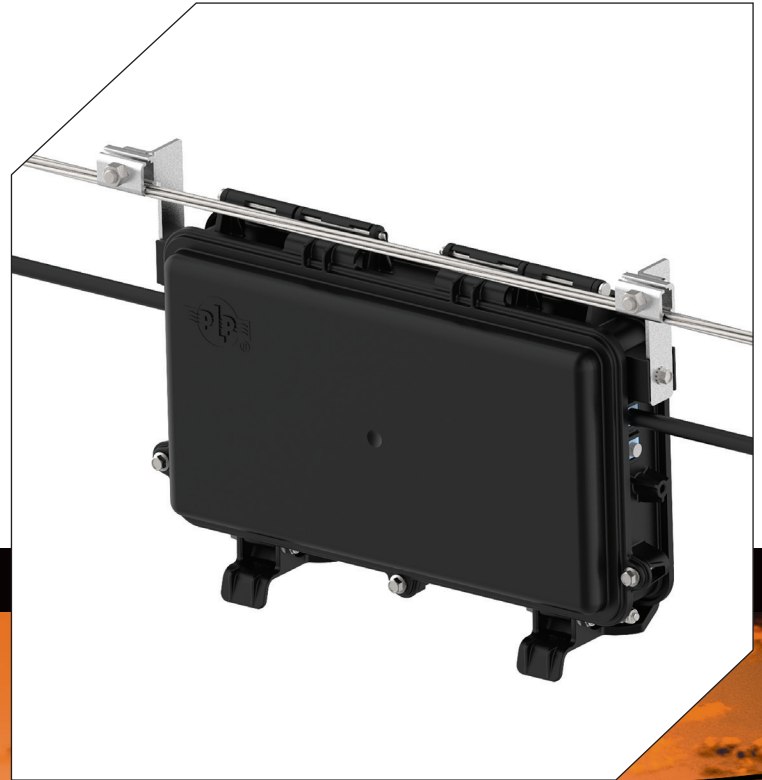




**PREFORMED** LINE PRODUCTS  
The connection you can count on.

## COYOTE® ATC (Aerial Terminal Closure)



COMMUNICATIONS



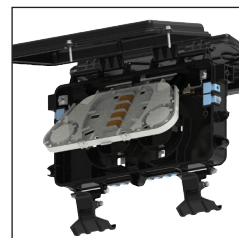
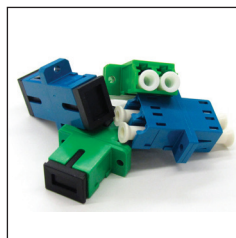
ENERGY



SPECIAL INDUSTRIES



SOLAR



## PLP® Fiber Optic Products

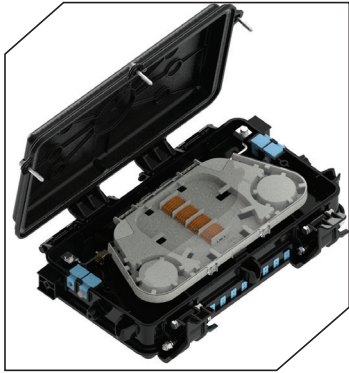
### COYOTE® ATC (Aerial Terminal Closure)

#### Description

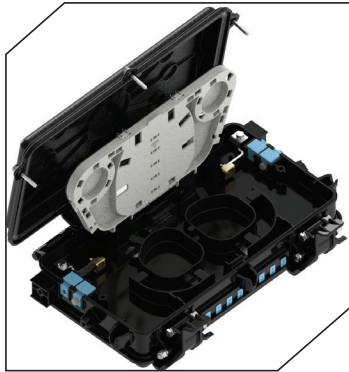
The new COYOTE® ATC is Preformed Line Products' first purpose-built aerial closure system focused to support the drop distribution network without the need for specialized drop cable assemblies. The closure features a unique dual chamber design with independent access to the splice/slack storage chamber and to the drop connection chamber. The cover latch system expedites access for drop installation and the fasteners secure the splice chamber cover to restrict access after initial installation. Inside the closure is a large slack storage area and splice tray system which support single fusion, mass fusion, mechanical splice protectors or splitter technology. The ability to support standard drop cables, application flexibility, rugged construction and ease of use are just several reasons to consider the new COYOTE ATC for your OSP fiber network.

#### Key Features:

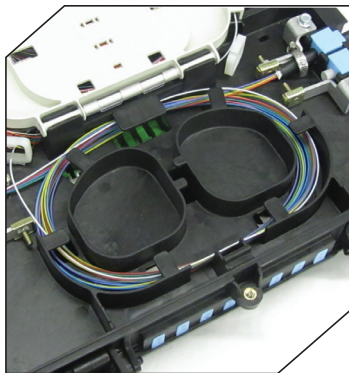
- **Size:** 17" x 10" x 4" (432 x 254 x 102 mm)
- **Max Splice Capacity:** 48
- **Max Adapter Capacity:** 16
- **Grommet Quantity:**
  - Splice Chamber – 4
  - Drop Chamber – 8
  - See table for grommet options
- **Application:** Aerial
- **Adapter Types Supported:** SCAPC, SCUPC, LCAPC, LCUPC
- Flexible grommet sealing system supports a wide range of flat or round cable profiles
- Factory installed sealing materials
- Reenterable and reuseable
- Dual cover design allows independent access to each closure chamber
- Designed to GR-771 generic requirements for fiber splice closures
- Constructed with flame retardant UV stabilized material



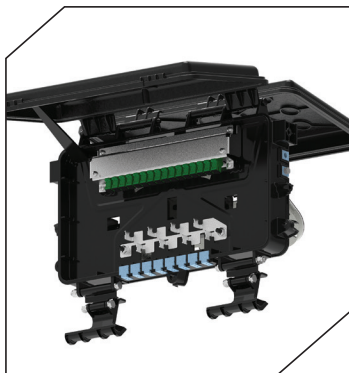
Splice Chamber



Hinged Splice Tray



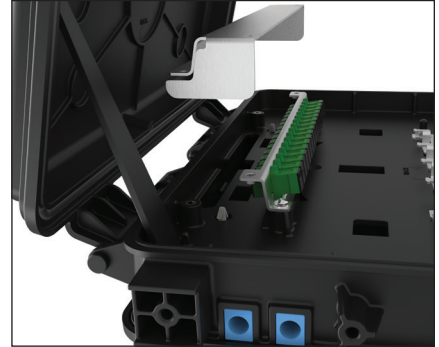
Slack Storage Area



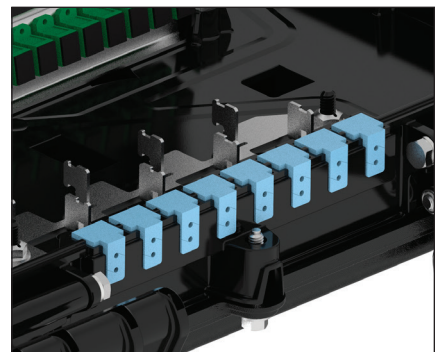
Independent Chamber Access



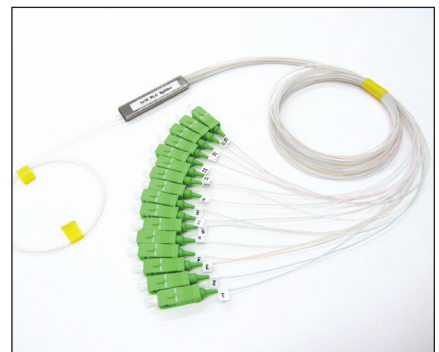
Drop Chamber



Protective Shroud

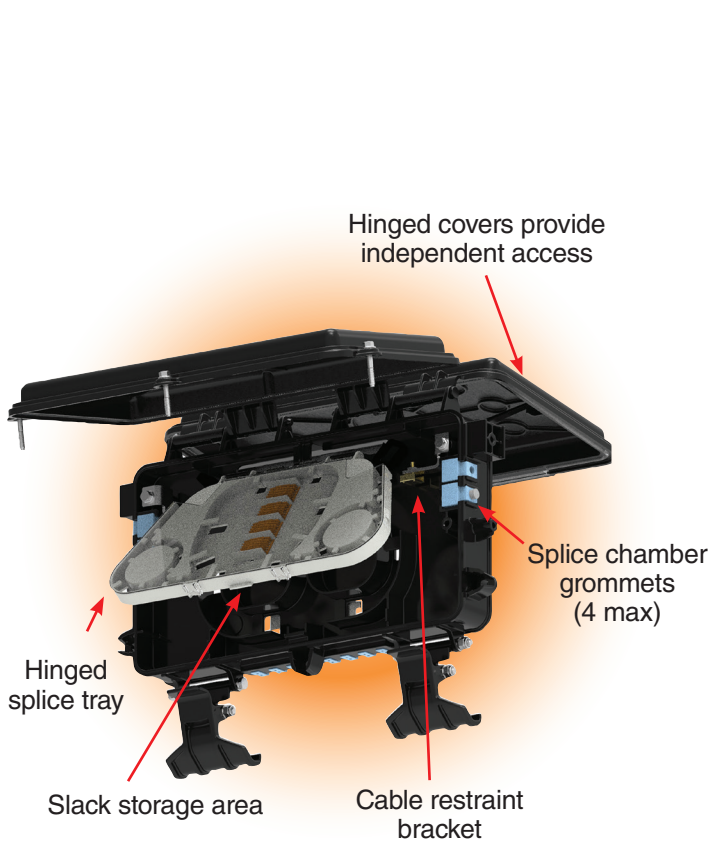
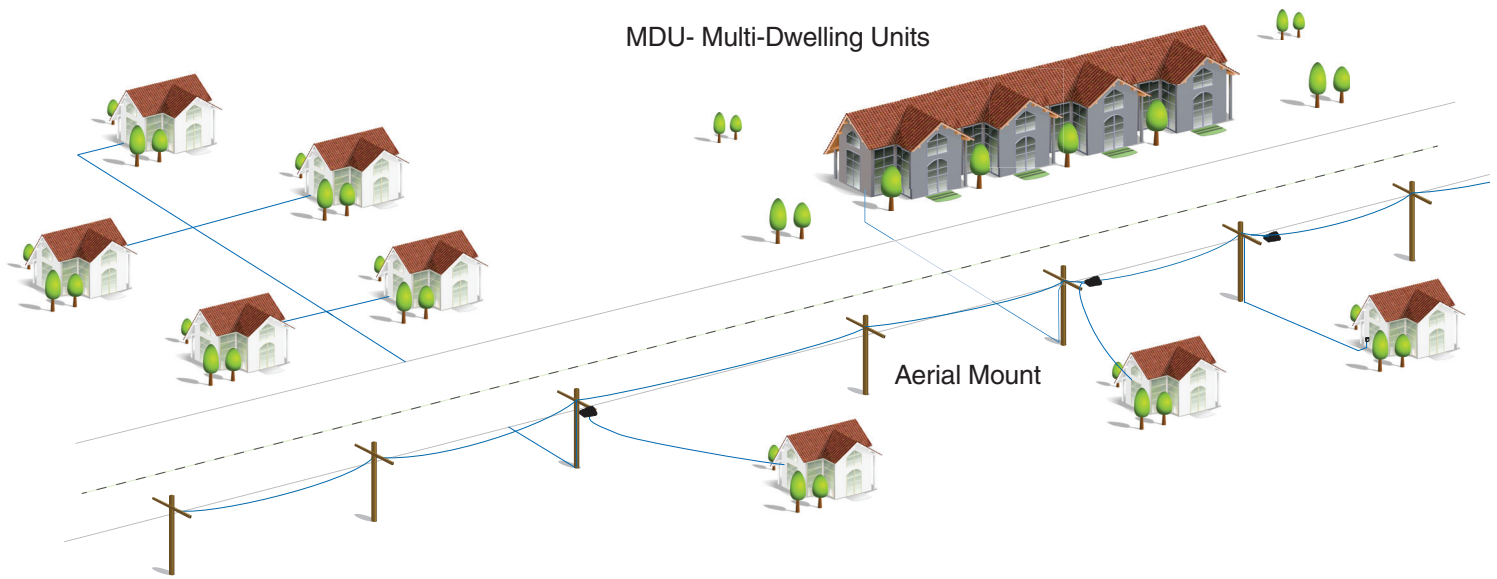


Drop Grommets

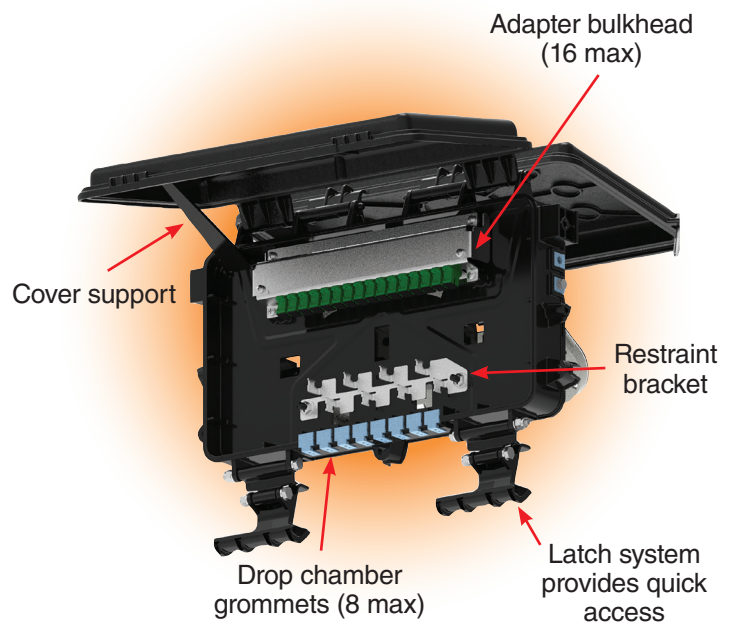


Pre-Connectorized Splitters

PLP® Fiber Optic Products  
**COYOTE® ATC (Aerial Terminal Closure)**



**SPLICE CHAMBER**



**DROP CHAMBER**

# COYOTE® ATC Ordering Instructions

ATC - XXXX

X

X

X

X

X

Splice Chamber Grommet Selection Select 4		Cable Diameter Range		Splice Chamber Splitter Type Select 1		Splice Chamber Pigtails Select 1 and quantity		Drop Chamber Grommet Select 1		Cable Diameter Range		Drop Chamber Adapter Type Select 1		Drop Chamber Adapter Quantity	
A		SOLID, NO HOLE		N	NONE	N	NONE	0		SOLID, NO HOLE	N	NONE	0 to 16		
<b>Splitters without Connectors</b>															
B		.200" - .250" (5.0 - 6.4 mm) ROUND CABLES	1	1X4 - PLC	Y		1		.093" - .125" (2.4 - 3.2 mm) ROUND CABLES	1		1	1		
C		.250" - .300" (6.4 - 7.6 mm) ROUND CABLES	2	1X8 - PLC			2		.156" - .170" (4.0 - 4.3 mm) ROUND CABLES	2		2	2		
<b>Pre-Connectorized Splitters</b>															
D		.300" - .350" (7.6 mm - 9.0 mm) ROUND CABLES	4	1X4 - SCAPC			4		FLAT DROP CABLE	3		3	3		
E		.350" - .400" (9.0 - 10.2 mm) ROUND CABLES	5	1X4 - LCAPC			5			4		4	4		
F		.400" - .450" (10.2 - 11.4 mm) ROUND CABLES	6	1X4 - SCUJPC			6								
G		.450" - .500" (11.4 - 12.7 mm) ROUND CABLES	7	1X4 - LCUJPC			7								
H		.500" - .550" (12.7 - 14.0 mm) ROUND CABLES	8	1X8 - SCAPC			8								
J		.156" - .187" (4.0 mm - 4.7 mm) ROUND CABLES	9	1X8 - LCAPC			9								
			10	1X8 - SCUJPC			10								
			11	1X8 - LCUJPC			11								
			12	1X16 - SCAPC			12								
			13	1X16 - LCAPC			13								
			14	1X16 - SCUJPC			14								
			15	1X16 - LCUJPC			15								

## Catalog Number Example: ATC-AADD-9-N-1-1-8

All Closures include splice tray and aerial mounting hardware