

Electric Vehicle Charging Station

The connection you can count on



PLP Australia

PLP (Preformed Line Products) is an Australian manufacturing company that has been supplying patented products to the electricity power utility, telecommunication, cable television and data network industries as well as specialised niche markets for more than 50 years.

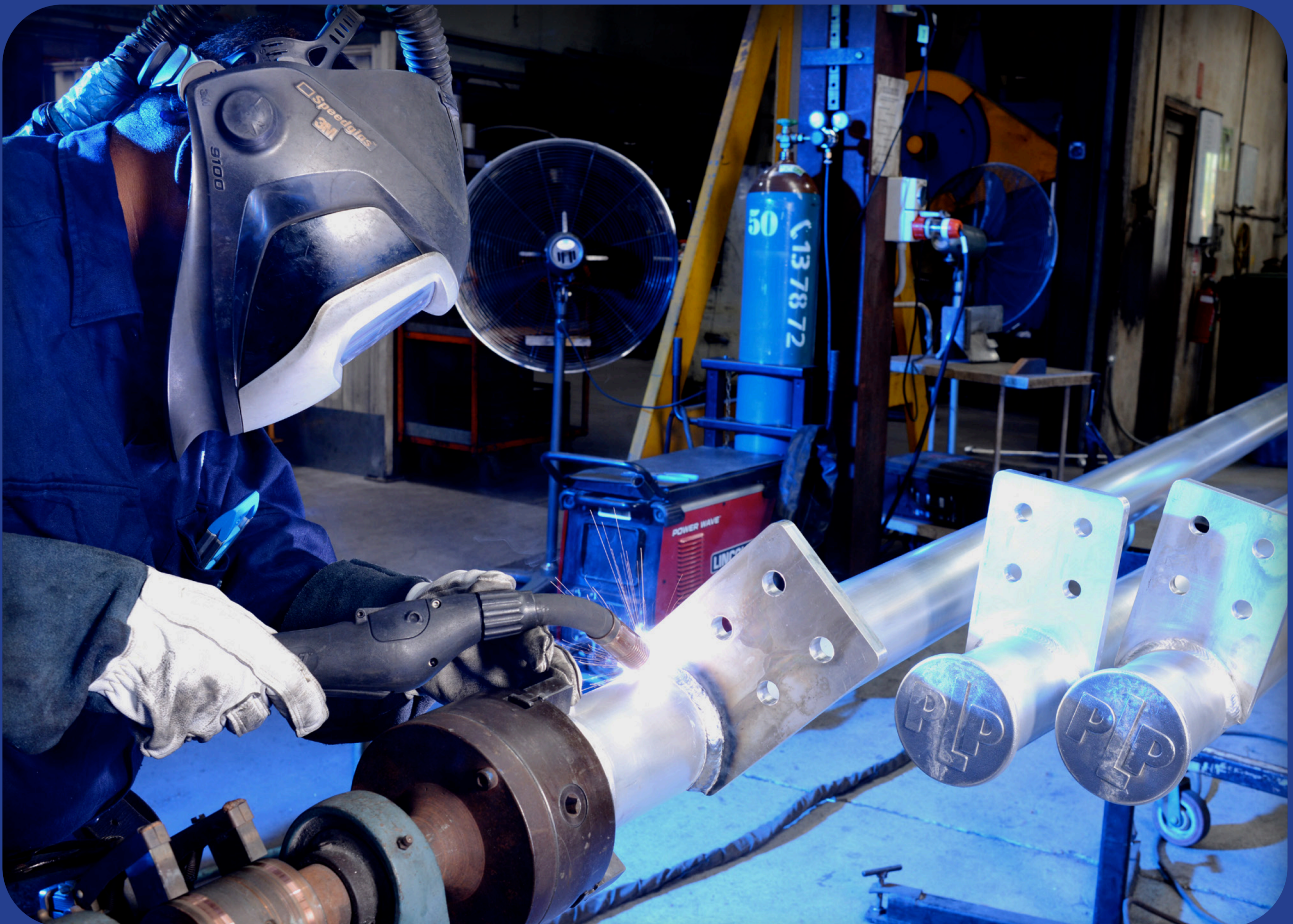
PLP is a designer, manufacturer and supplier of high-quality cable anchoring and control hardware systems for supporting, protecting, terminating, and splicing transmission and distribution lines.

Experienced engineers provide technical support and inspection services comprising in-depth data analysis from unmanned aerial inspection vehicles for critical infrastructure.

Inventiveness, integrity, and foresight are the foundations of PLP and the company continues to improve power utility networks by creating and building innovative new products for the industries it serves.

PLP has an extensive product range and the ability to provide solutions from experienced industry professionals to ensure the best outcome for your project.

PLP Australia has a dedicated team of on-site customer service staff and industry experienced external sales professionals to assist customers.



PLP's Electric Vehicle Charging Station

Features and Benefits

- Prefabricated all-in-one solution.
- Manufactured from durable, weather-resistant polypropylene.
- Easy and quick installation that does not require concrete pours or heavy machinery.
- Four ports for versatility and future expansion.
- Top plate can be modified to accommodate different charging stations.
- Top plate creates easy access point for charging station repairs, replacements, or upgrades.
- Lockable wire storage protects components until charging station is installed.



The Electric Vehicle (EV) market in Australia is estimated to grow significantly as a reduction in fossil fuels will play a major role in achieving the Australian Government's emission targets.

EV Charging Stations will need to be easy to install, durable, cost-effective, and future-proof to meet the increase in demand.

PLP's EV Charging Station is a prefabricated, precision-engineered solution.

The durable yet lightweight polypropylene material construction does not require special machinery and can be easily installed by one person in a day.

The EV Charging Station can be easily adapted to accommodate a wide range of chargers and charger poles currently on the market.

The aluminium top plate provides a clean finish with easy access points for repairs and future upgrades.

Unimi-1 Base ECO Plastic™ Pre-cast EV Charging Station



The Unimi-1 Base ECO Plastic™ is designed for anchoring EV Charging Stations in the ground and is predominantly installed in outdoor environments.

Precision Engineered EV Charging Station

The PLP EV Charging Station is a precision engineered product.

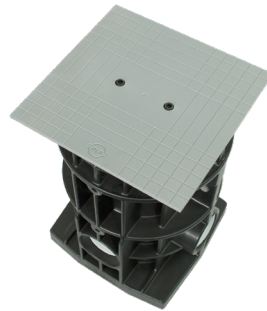
- Can be installed immediately without waiting for concrete to cure.
- Ready-made solution prevents future infrastructure maintenance.
- Constructed with a support beam with pre-threaded M12 nuts.
- Top plate can be easily drilled in the field to fit a wide range of charging station models.
- Universal fitting system easily accommodates different charging station models.
- Top plate access point makes repairs and replacements easy.



1
FOUNDATION



2
SUPPORT BEAM
(Showing pre-threaded
M12 inserts)

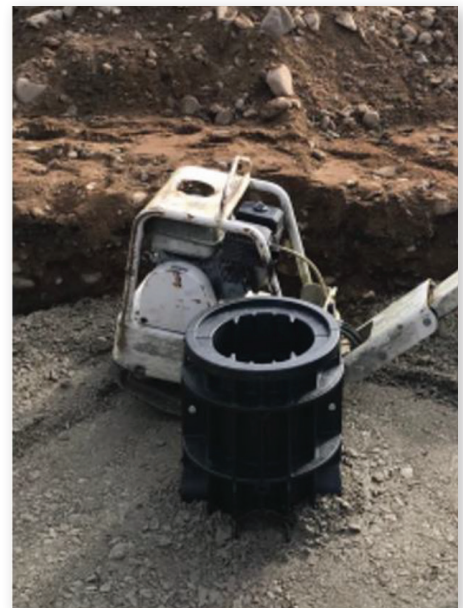
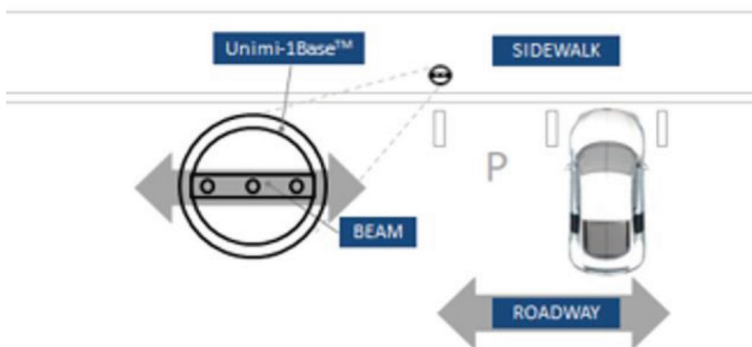


3
TOP PLATE

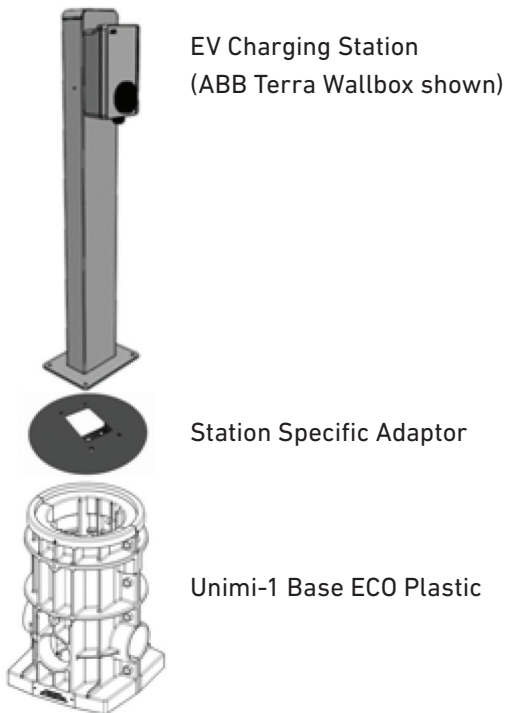
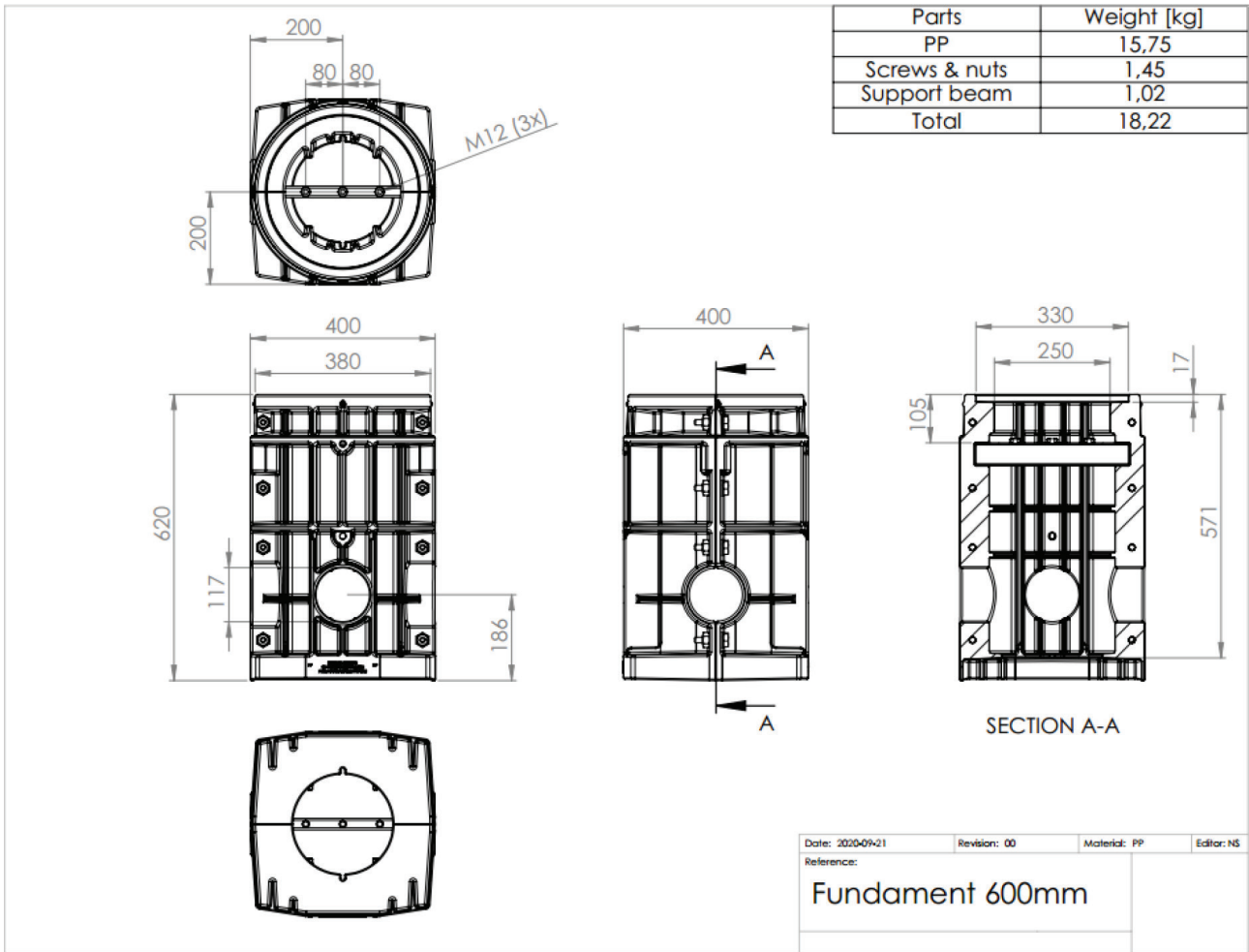


**COMPLETED
INSTALLATION**

Orientation of the foundation member and metal beam
[view from above]



The top of the EV Charging Station is finished flush and level with the ground surface, enabling pedestrians and light traffic to pass over the top plate without trip or driving hazards.



The drawing above shows the adaptor and EV Charging Station. Dimensions will vary depending on the manufacturer.



A street with a future proof and scalable, Unimi-1 Base with crash protections ready for charging.



190 Power Street
Glendenning NSW 2761
Australia

PO Box 626 St Marys
NSW 1790 Australia

Sales: 1300 550 322
Phone: +612 8805 0000
Fax: +612 8805 0090
www.plp.com/au