



## RAPTOR CLAMP™ Diverter



The connection you can count on

# RAPTOR CLAMP™ Diverter

## Description

RAPTOR CLAMP™ Diversers are designed to increase the visibility of overhead lines and reduce the incidence of bird collisions with overhead cables.

Extensive field studies have shown that when installed properly, diversers significantly decrease bird strikes.

PLP's RAPTOR CLAMP™ technology is suitable for cables from 2.54mm to 44.45mm in diameter.

The clamp's trigger mechanism is simple to open and set, which allows for a quick latching installation onto the cable.

The clamp's trigger latch design allows the product to be easily installed by hand, hot stick or drone, utilising PLP's patented installation system.

The installed clamp grips the cable tightly, ensuring the diverter remains in position during severe wind conditions or when subjected to aeolian vibration.

The rugged diverter features a large 150mm diameter yellow flag with a reflective centre, securely attached to the clamp, providing excellent visibility.

PLP also offers the RAPTOR-LED™ Diverter with a flashing LED module that provides a visible indication of overhead lines in dark and low-light conditions.



Bump



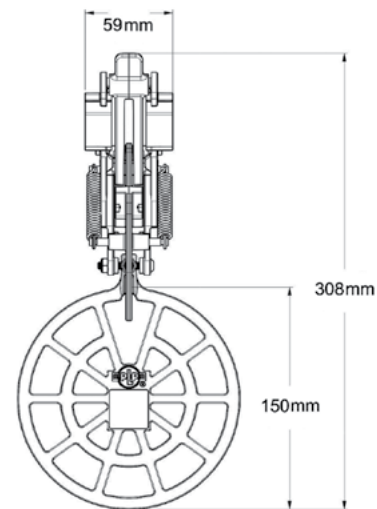
Snap



Installed

## Features

- UAV (Drone) Installation is available through PLP's Installation Services
- Easy 'bump and snap' installation on the cable
- No special tools required
- Simple, cost-effective design
- Lightweight (total weight = 129 grams)
- Manufactured from UV-stabilised polycarbonate and polyethylene materials
- All metal hardware is corrosion-resistant stainless steel
- Optional flashing RAPTOR-LED™ available



## RAPTOR CLAMP™ Diverter

Catalogue Number	Diameter Range (mm)		Weight (grams)	Carton Quantity
	Minimum	Maximum		
RAPTOR-YEL	2.5mm	44.5mm	159g	16
RAPTOR-LED			500g	

For optimum results, the recommended spacing distances are 5 metre intervals depending upon local conditions.

