

REDDI™ Seal Closure

Weight: 0.00kg

Dimensions: 0.00cm x 0.00cm x 0.00cm

Description

REDDI Seal provides a reliable and cost-efficient way to encapsulate splice bundles whether the application is aerial, manhole, or buried. A rugged construction is designed to keep moisture out, prevent cable pull-out, and maintain electrical continuity.

Features

- Accommodates Underground, Overhead, and Buried Plant
- For use when strong cable pull-out strength is a necessity
- Designed to be applied to non-pressurized filled cable
- For use in resin-filled applications
- Includes performance-proven LOCK-TAPE Sealing System
- Durable polyethylene resists the effects of moisture, gas and weather extremes.
- RD Encapsulant or other re-enterable resin pours through entry ports and is sealed with threaded plugs

Documentation

Application Procedures

[SP-2640 \(REDDI Seal Closure\)](#)

Catalog Pages

[REDDI Seal - Catalog](#)

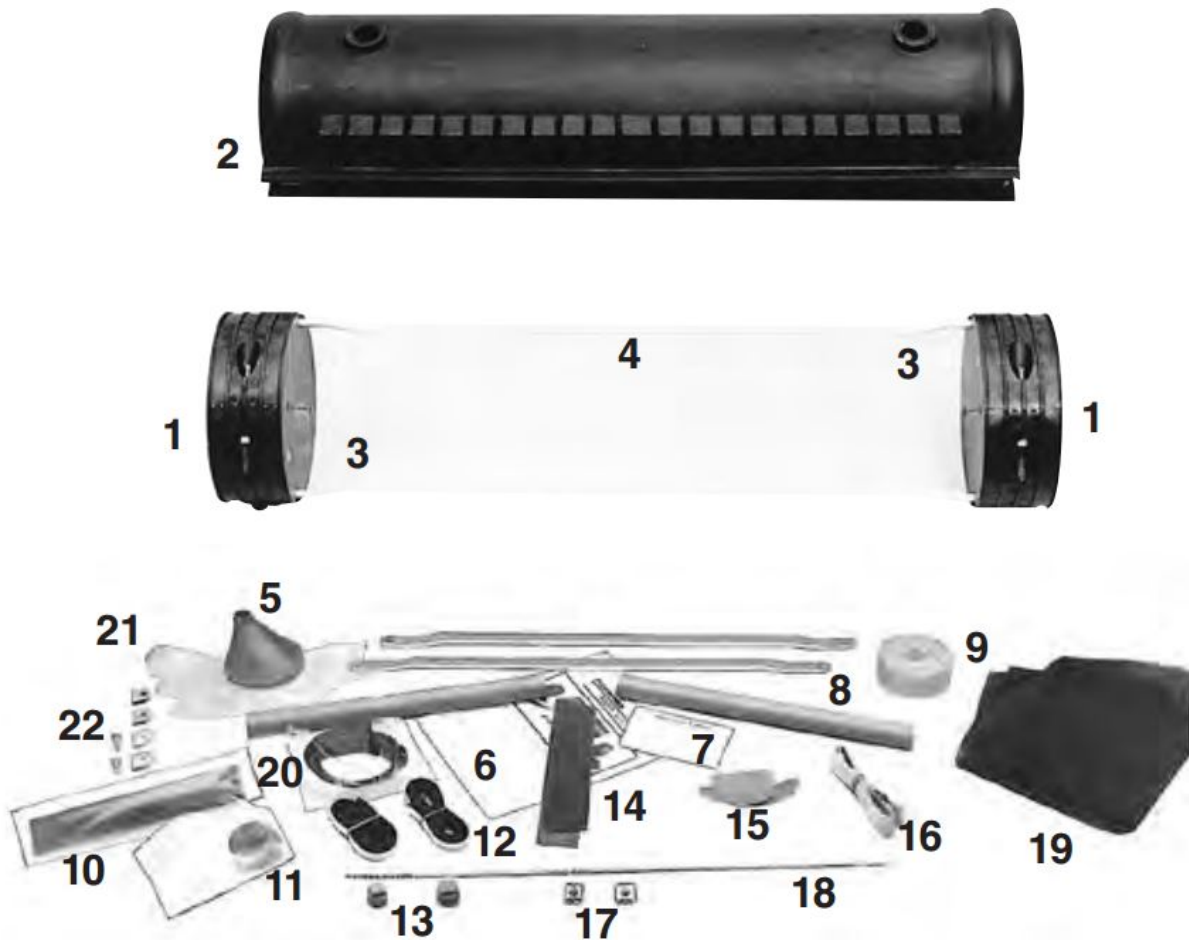
Part Tables

Standard REDDI Seal Catalog Entries*

Catalog Number* (With Bonding)	Catalog Number (Without Bonding)	Closure Size (mm)	Carton Quantity
8006068	8006143	4.0" x 25.8" (102 x 655)	1
8006085	8006145	6.5" x 28.4" (165 x 721)	1
8006087	8006147	9.5" x 28.4" (241 x 721)	1
8006185	8006216	6.5" x 38.5" (165 x 978)	1
8006227	8006229	9.5" x 38.5" (241 x 978)	1

*For variations consult PLP support.

(Shown is a REDDI™ Seal kit with bonding.)



The complete REDDI Seal kit is shown. Power End Plate Cutter, vinyl tape, C-Cement, and resin must all be obtained separately.

1. Standard Two-Section End Plates
2. Shell
3. End Plate insert (grounding)
4. Torque bars
5. Funnel
6. Application procedure
7. Cue Card
8. Closing clamps
9. LOCK-TAPE™ Sealant roll
10. End Plate LOCK-TAPE Sealant strips
11. Moisture barrier sealant
12. End seals
13. Threaded plastic plugs
14. Emery cloth (for scuffing sheath)
15. Pair Protectors
16. Cable bonding braid
17. SURE-GRIP™ Shield Connectors
18. CABLE Mea-SURE™ Tape
19. Spacer Mat
20. Flange seal
21. Gloves
22. Bonding clamps